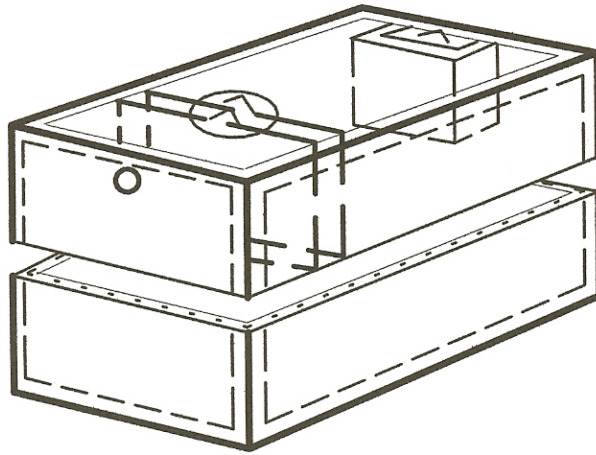


1000 gal. Septic tank



REINFORCING

3" x 8" 3.0 x 2.0

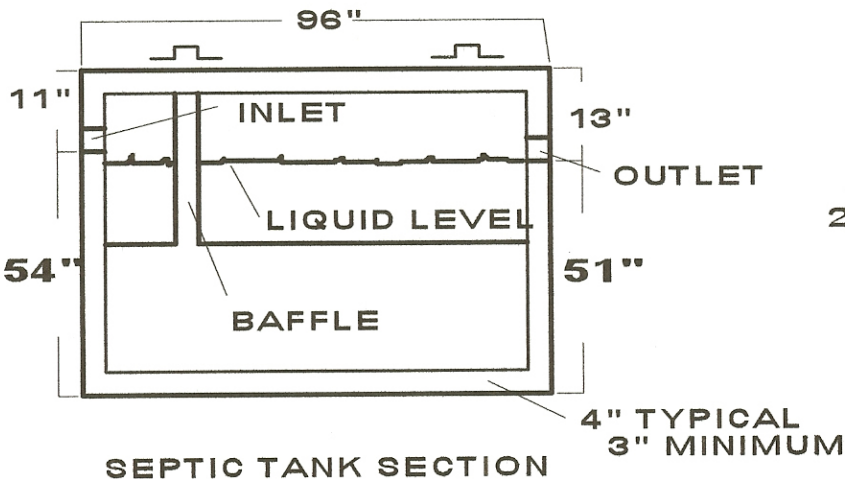
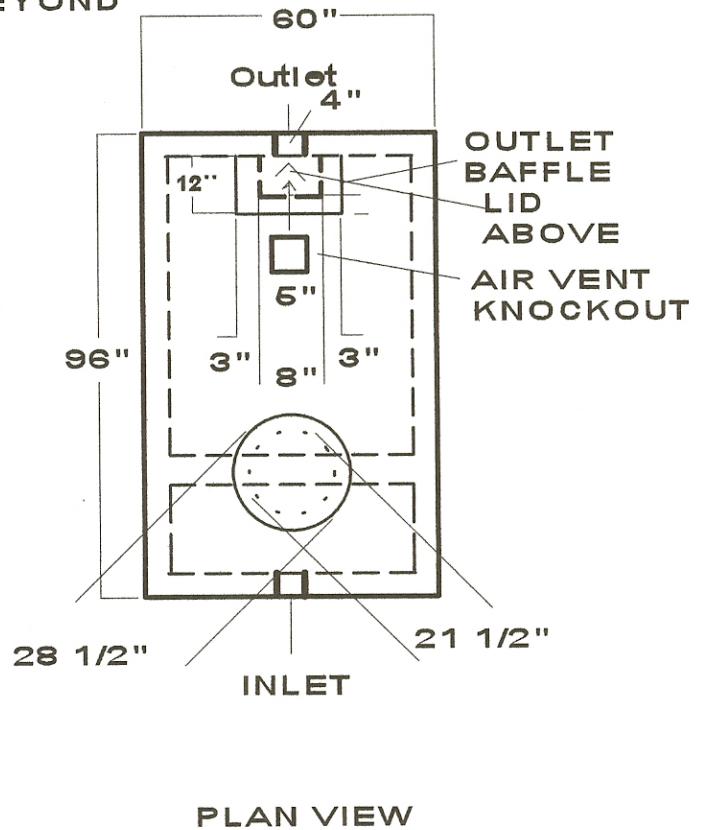
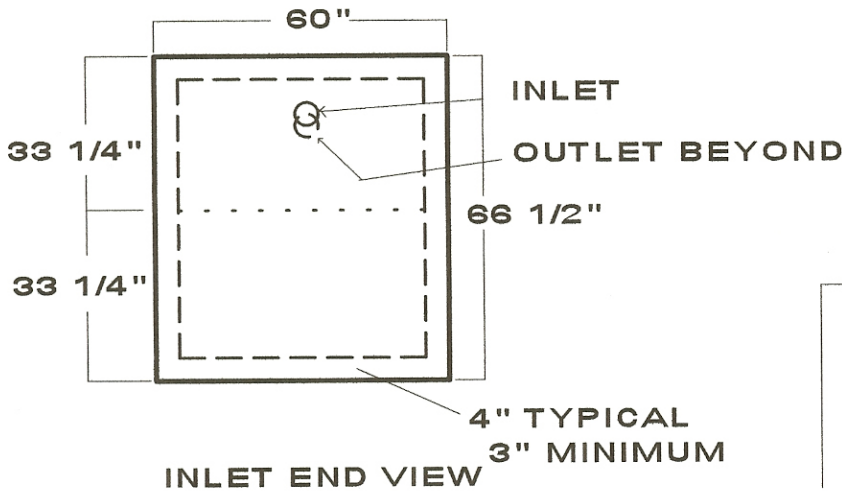
# 4 REINF BAR

ASTM A-185

STEEL AREA .12

2" STEEL CLEARANCE

NOTE: NOT TO SCALE



SEPTIC TANK SECTION

PLAN VIEW

4000 PSI CONCRETE  
60 KSI STEEL

FORMCHECK



INITIAL

DATE