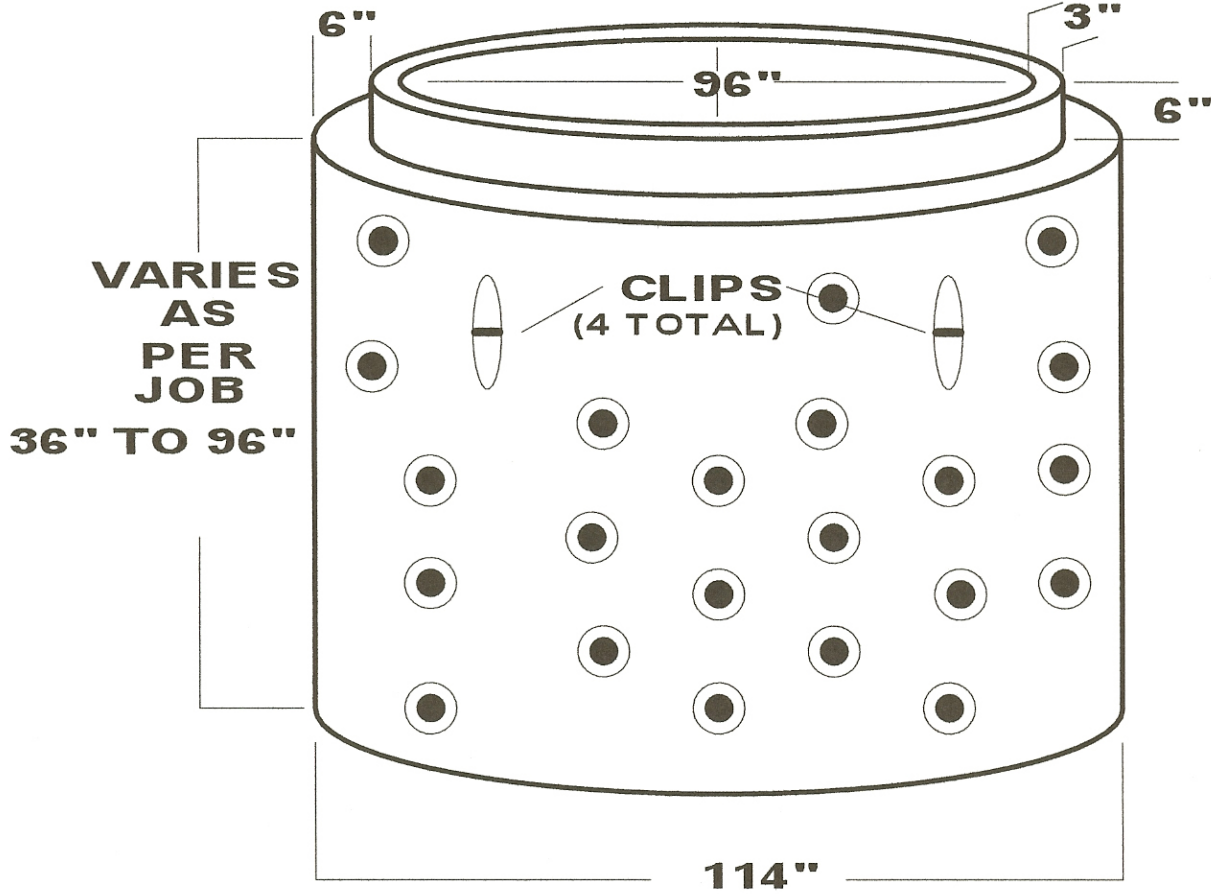
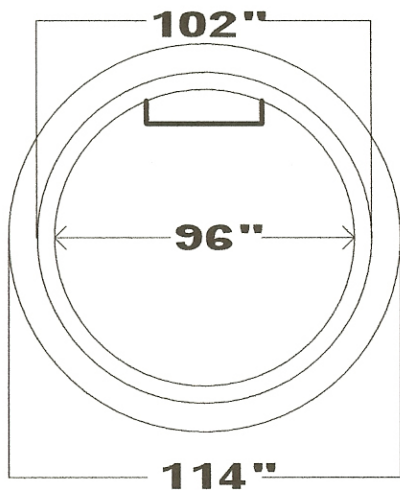


**8' MANHOLE**

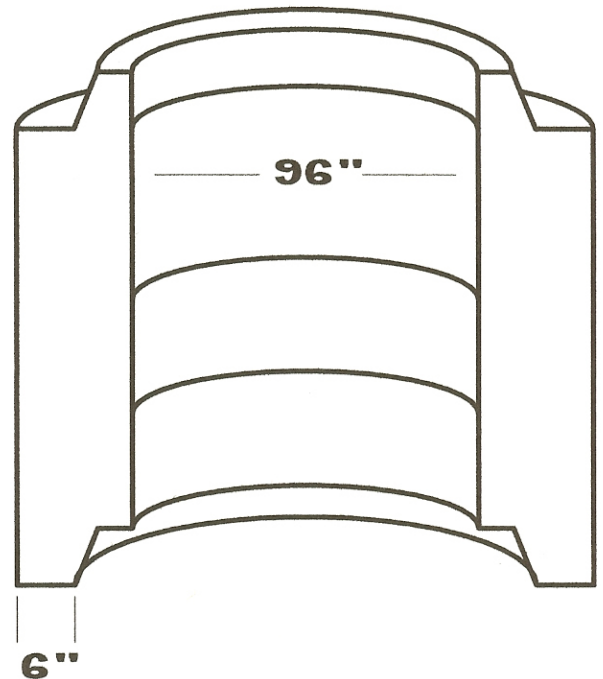


**PICTORIAL VIEW**

**TOP VIEW**



**CUT-AWAY VIEW**



**\*\*NOTE: NOT TO SCALE**  
**4000 PSI CONCRETE**

**REINFORCED STEEL - 2 ROWS**  
**3" X 8" 3.0 X 2.0 ASTM A-185 STEEL AREA .12**