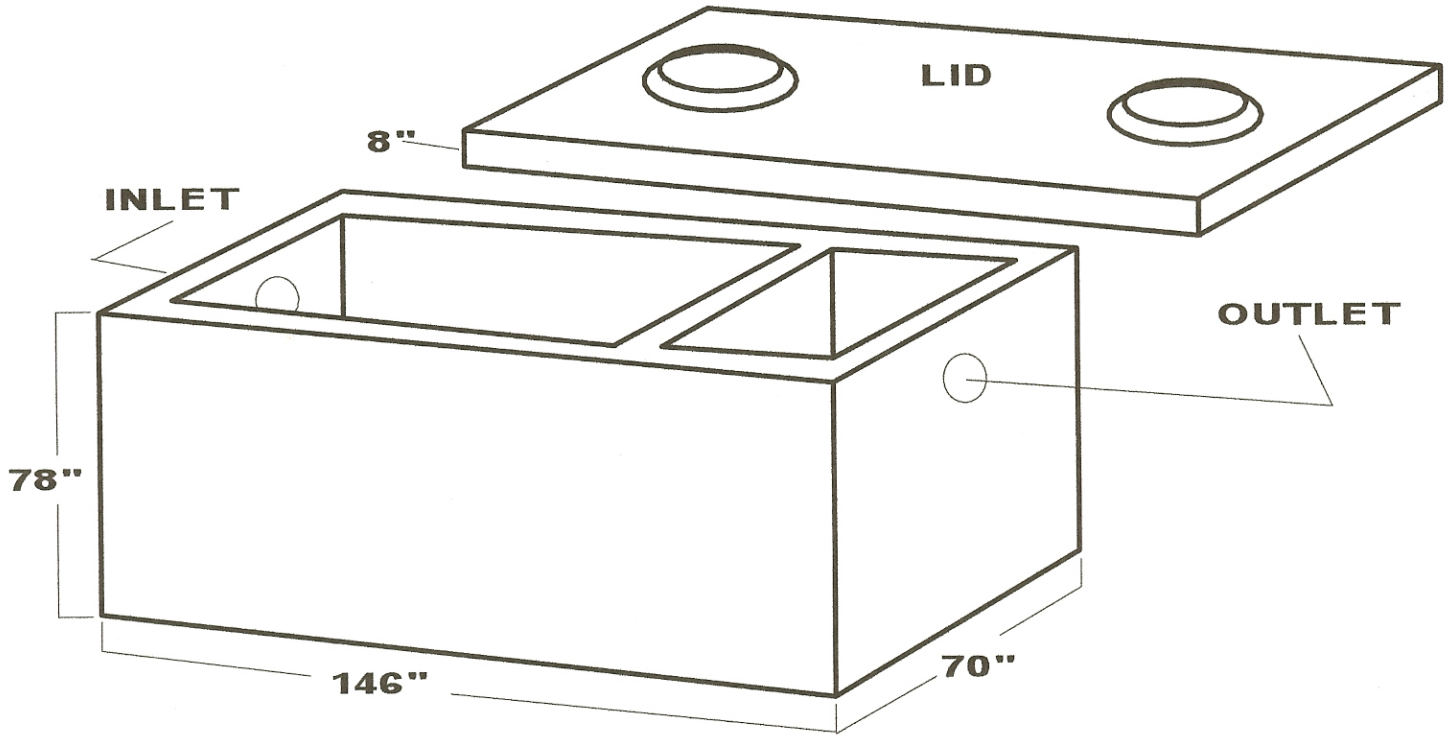
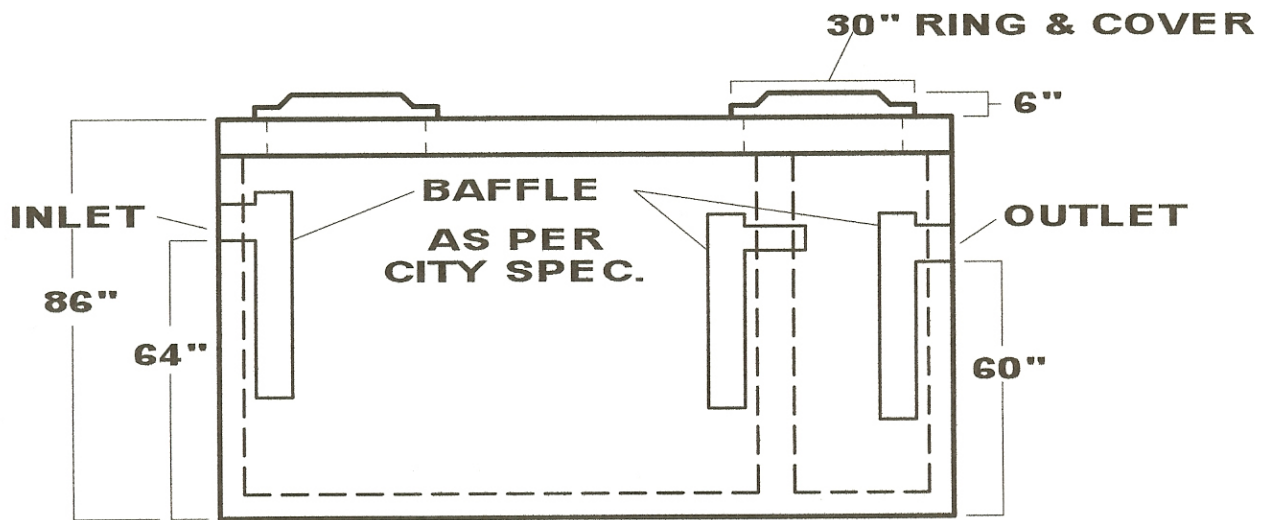


2000 GAL GREASE TRAP



\*\*\*NOTE\*\*\* NOT TO SCALE

\*\*\*NOTE: 30" x 24" RING AND COVER GOES ON TOP OF OPENING IN THE CONCRETE LID, THEY ARE 6" TALL



REINFORCING

3" x 8" 3.0 x 2.0

# 4 REINF BAR

ASTM A-185

STEEL AREA .12

2" STEEL CLEARANCE

4000 PSI CONCRETE

FORM CHECK

INITIAL \_\_\_\_\_

DATE \_\_\_\_\_