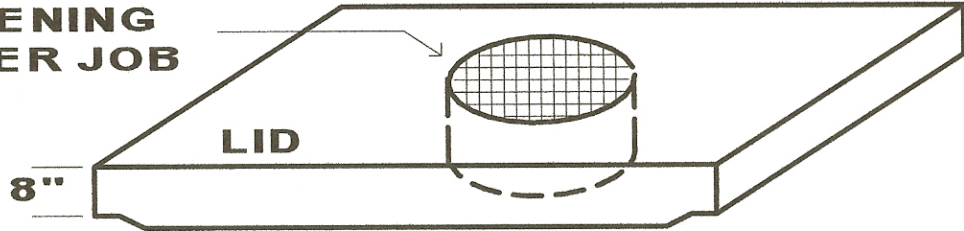
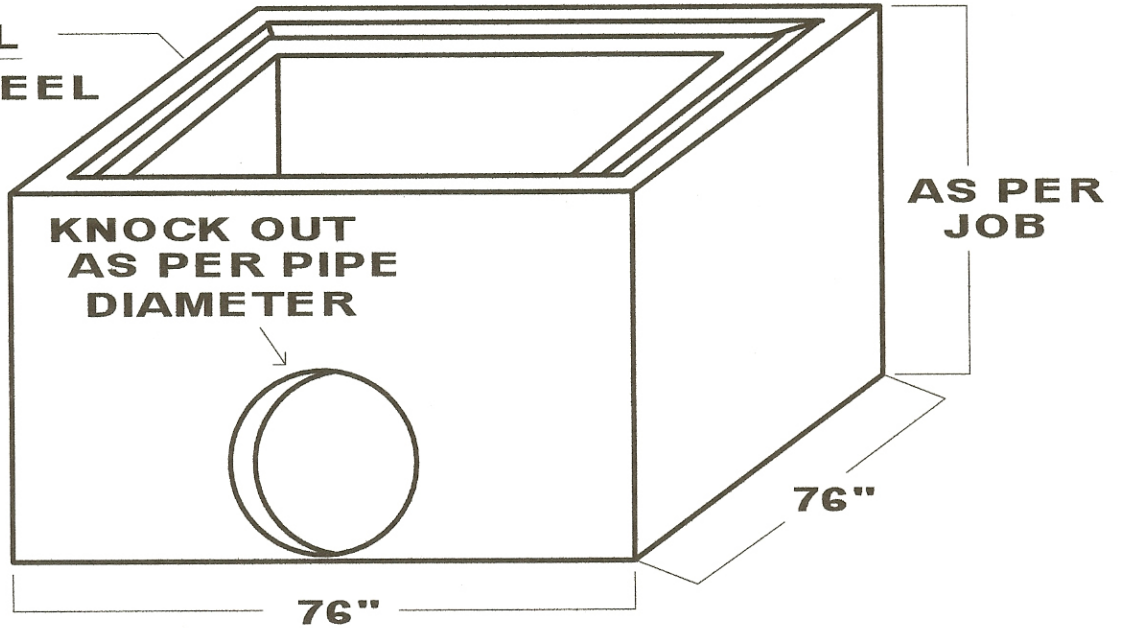


CUSTOM UTILITY BOX

**30" OPENING
COVER AS PER JOB**

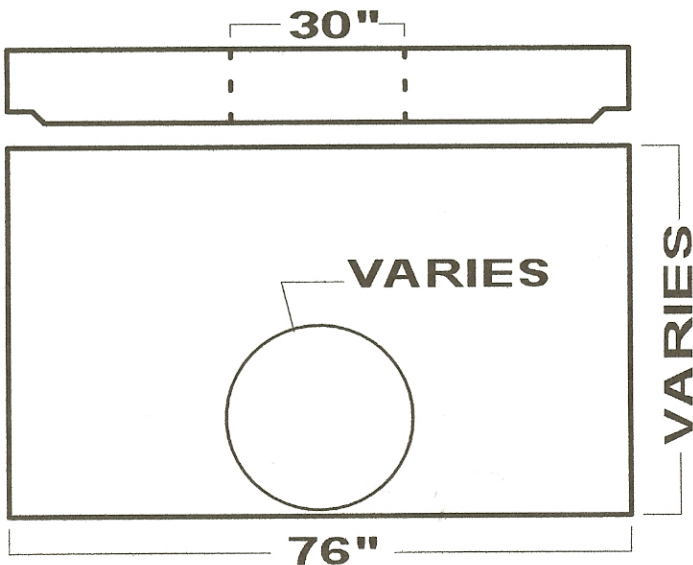


**8" WALL
#5 GREEN STEEL
12" OC**

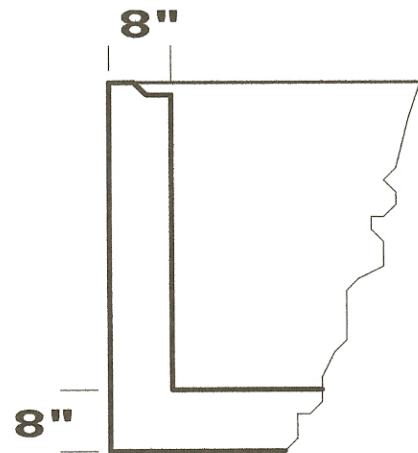


PICTORIAL VIEW

FRONT VIEW



**PARTIAL VIEW
THROUGH WALL**



****NOTE: NOT TO SCALE
4000 PSI CONCRETE**

FORM CHECK

INITIAL _____

DATE _____