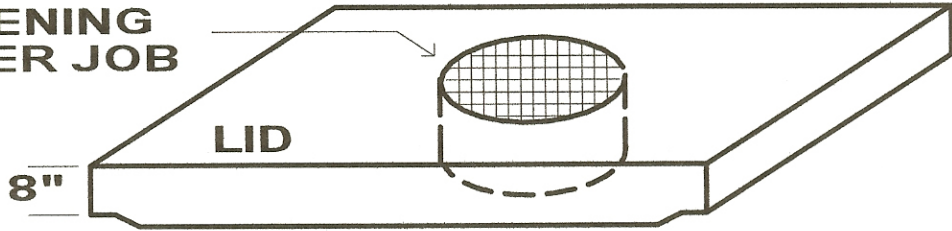
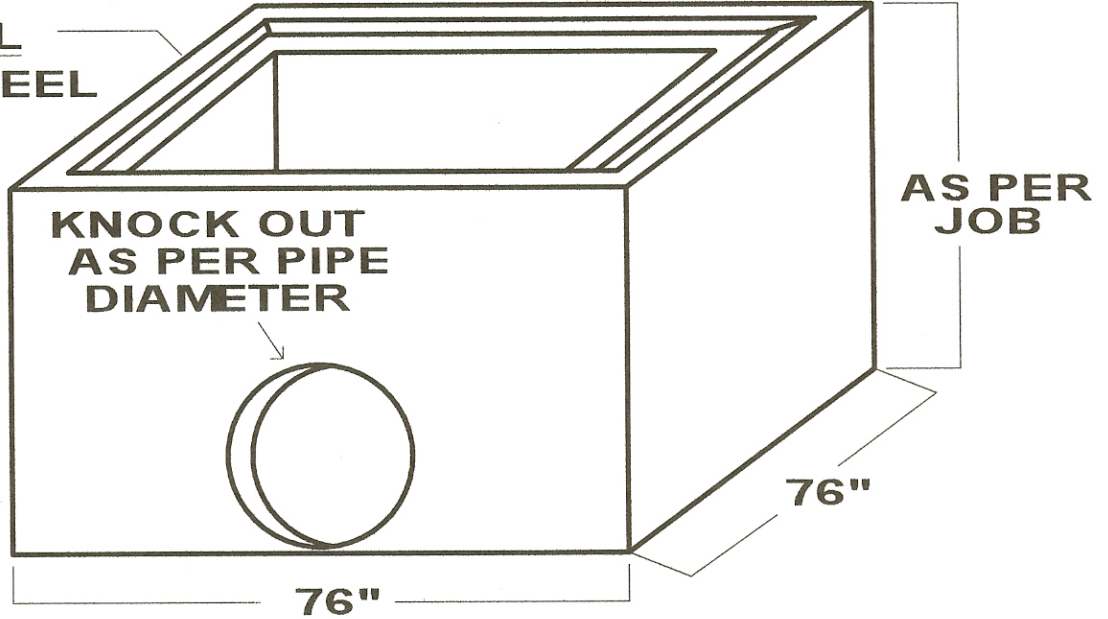


**CUSTOM UTILITY BOX**

30" OPENING  
COVER AS PER JOB

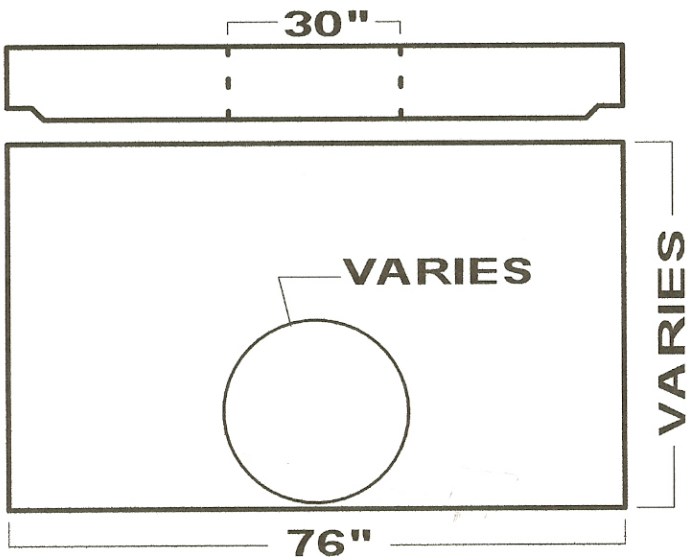


8" WALL  
#5 GREEN STEEL  
12" OC

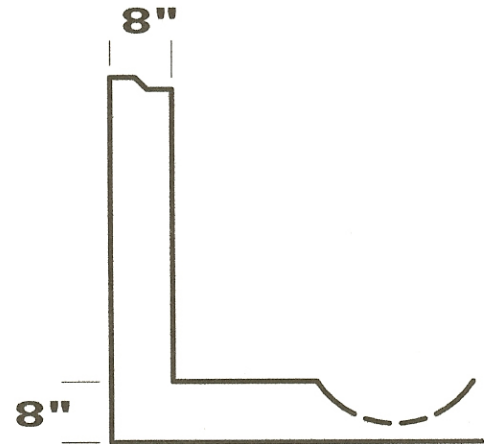


**PICTORIAL VIEW**

**FRONT VIEW**



**PARTIAL VIEW THROUGH WALL**



**\*\*NOTE: NOT TO SCALE  
4000 PSI CONCRETE**

FORM CHECK  INITIAL \_\_\_\_\_

DATE \_\_\_\_\_