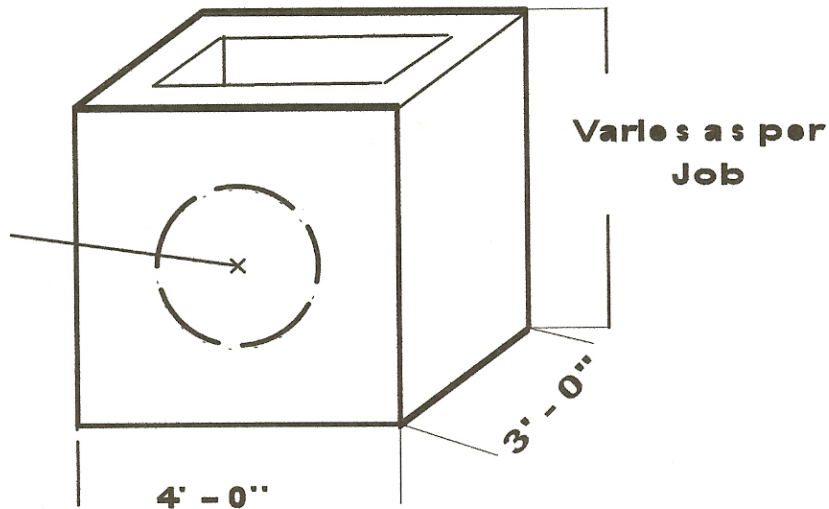


Custom 2x3 Catch Basin



Holes as per Job

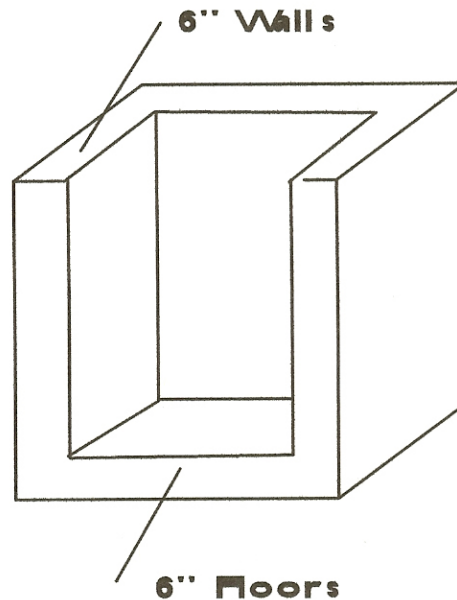
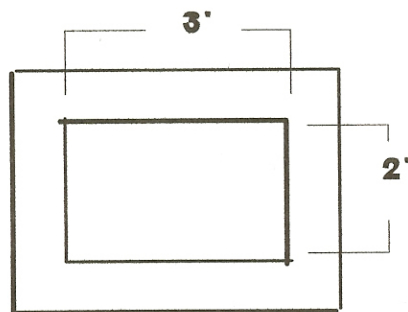
Varies as per Job

Design For:

- D&L 35 16
- 35 17
- Ourb 35 18
- Inlet 35 19

Cut Away Detail

Top View



Meets ASTM

**4,000 lb F81 Concrete
H-20 Loading**

**#4 Bar @ 12" Vertical and Horizontal
or Equivalent**

FORM CHECK

INITIAL

DATE
