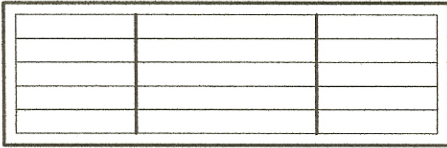


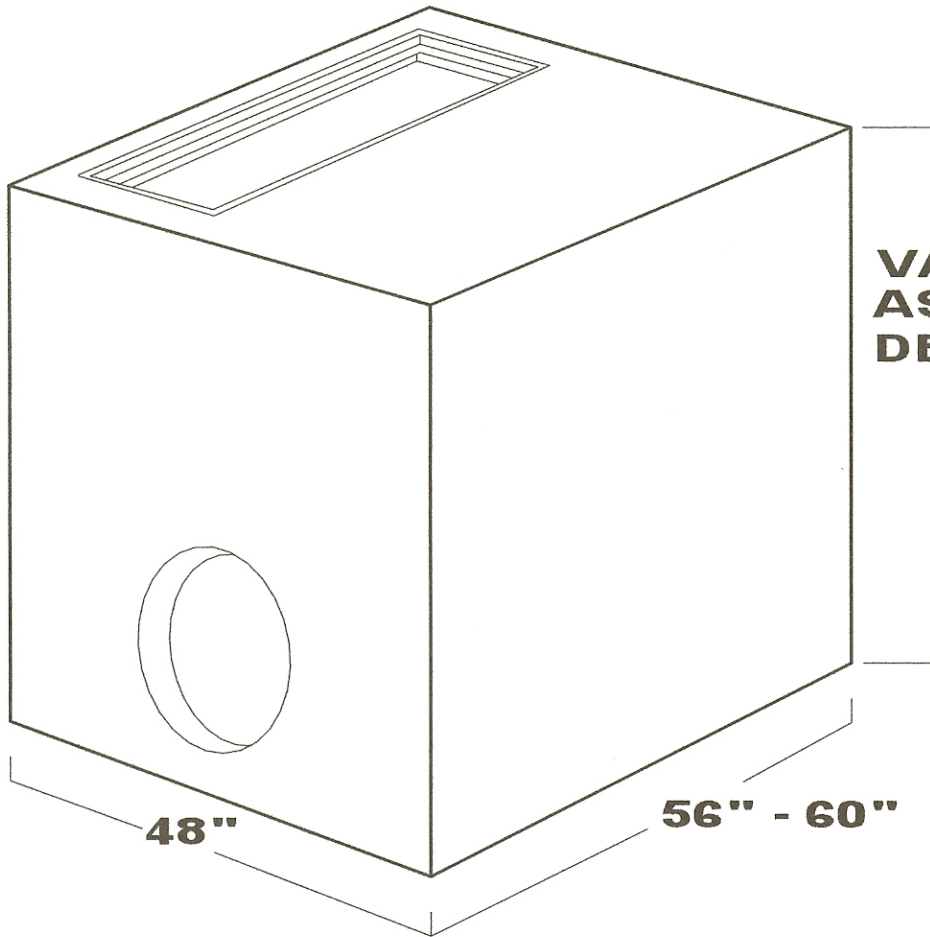
CB-9 CATCH BASIN

OPTIONAL GRATES



****NOTE****
NOT TO SCALE

MEETS UDOT
STD DWG 9A
SPECIFICATIONS



VARIES
AS PER
DESIGN

48"

56" - 60"

