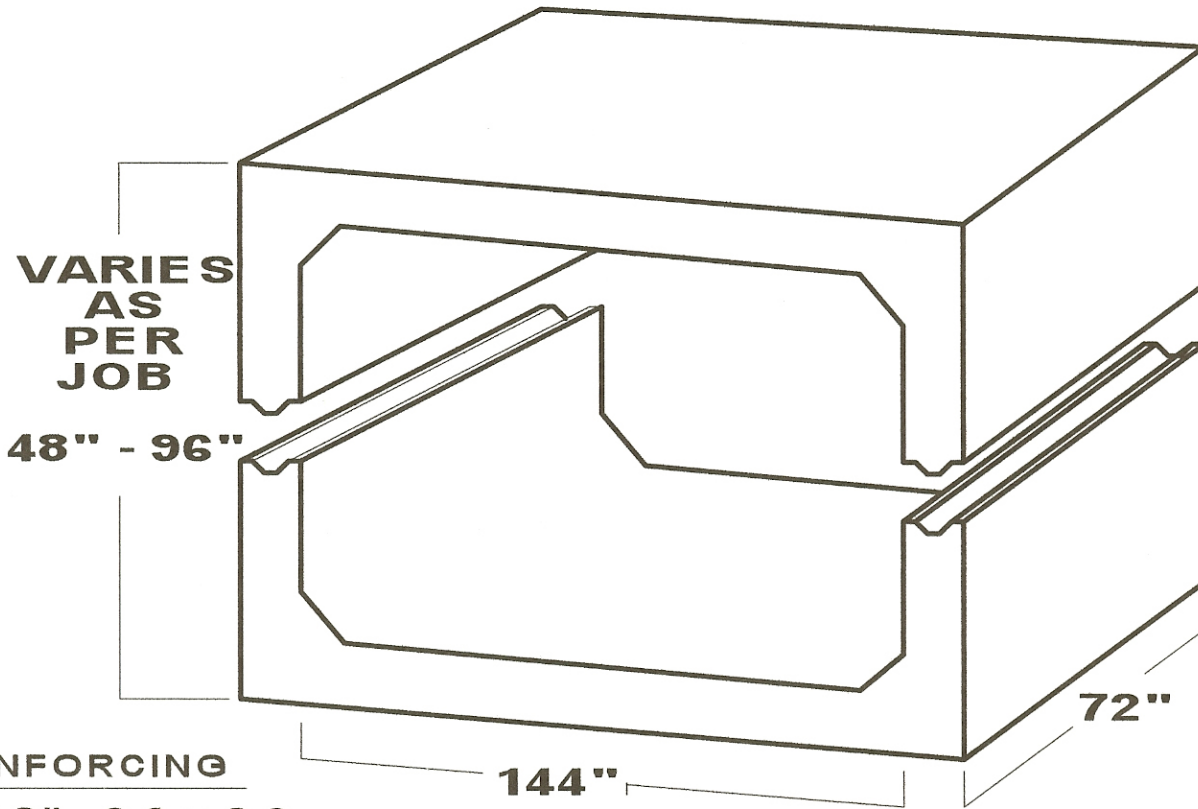
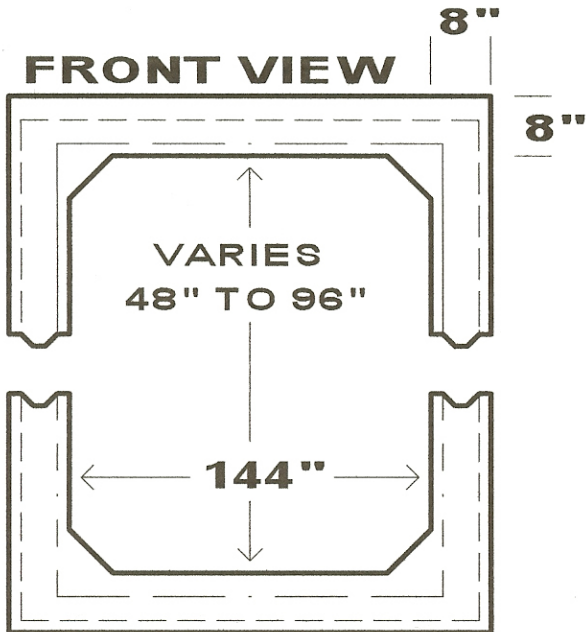


BOX CULVERTS

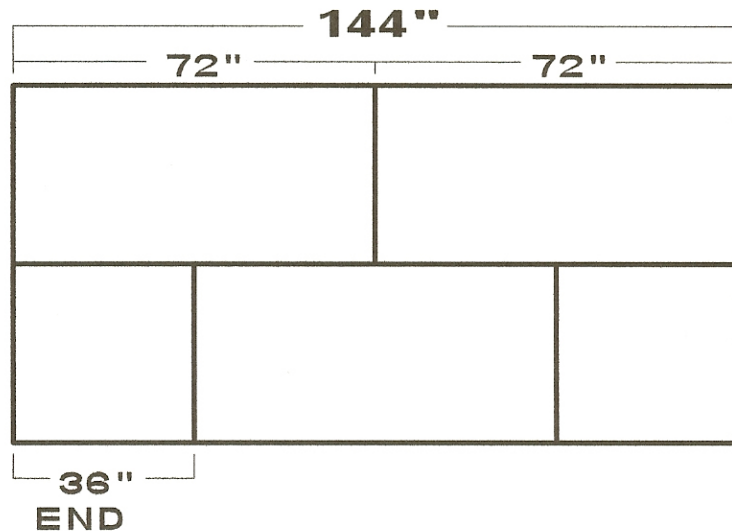


PICTORIAL VIEW

REINFORCING
3" x 8" 3.0 x 2.0
ASTM A-185
STEEL AREA .12
2" STEEL CLEARANCE



SIDE VIEW
STACKING VIEW



**NOTE: NOT TO SCALE
4000 PSl CONCRETE

FORMCHECK

INITIAL _____

DATE _____