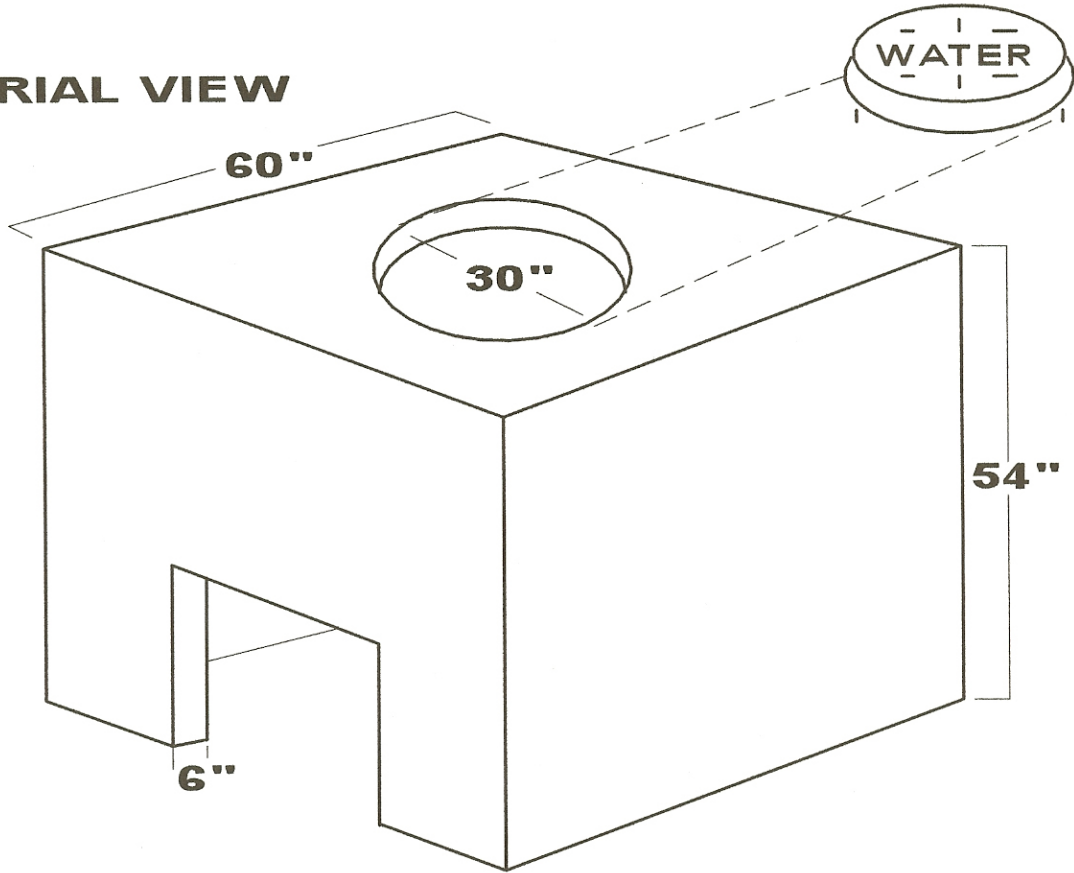
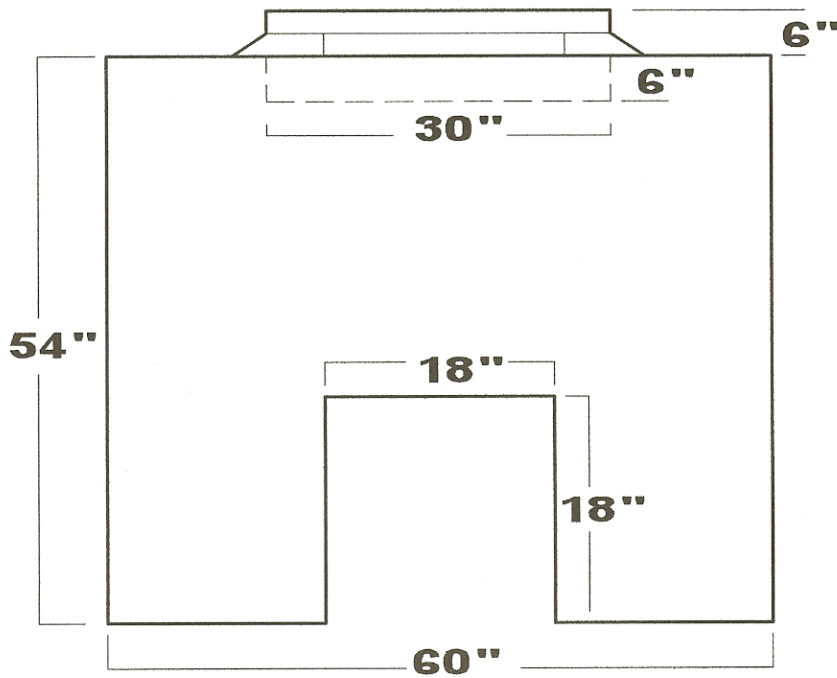


48" x 48" x 48" WATER BOX

PICTORIAL VIEW



FRONT VIEW



PARTIAL SECTION THROUGH SIDE WALL



****NOTE: NOT TO SCALE**

4000 PSI CONCRETE

FORM CHECK

DATE _____

INITIAL _____