

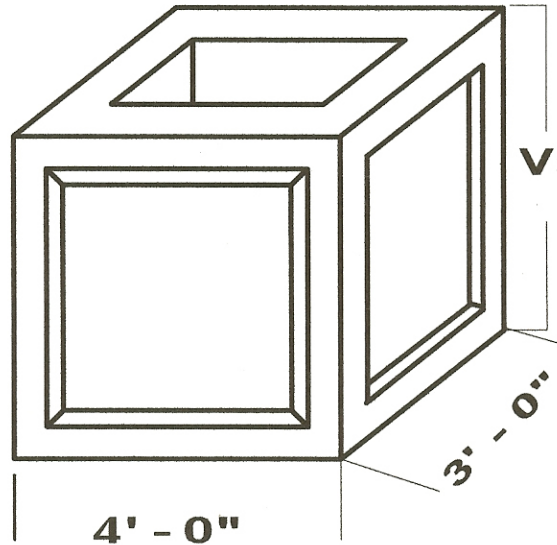
2' X 3' CATCH BASIN W/KNOCKOUTS

Holes as per Job

Varies as per Job

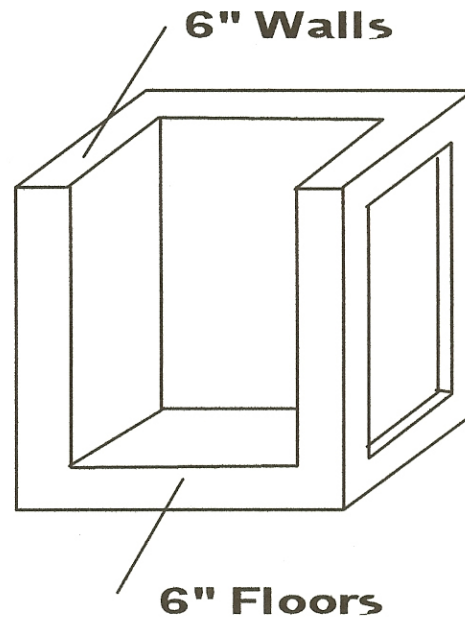
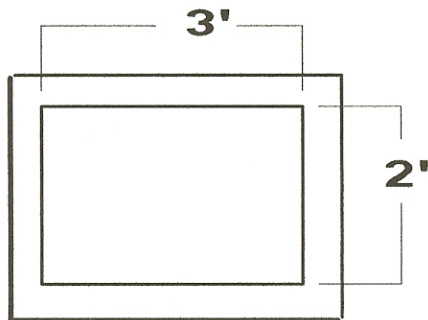
Design For:

- D&L 3516
- 3517
- Curb 3518
- Inlet 3519



Cut Away Detail

Top View



Meets ASTM

**4,000 lb PSI Concrete
H-20 Loading**

**#4 Bar @ 12" Vertical and Horizontal
or Equivalent**

FORM CHECK

INITIAL _____

DATE _____