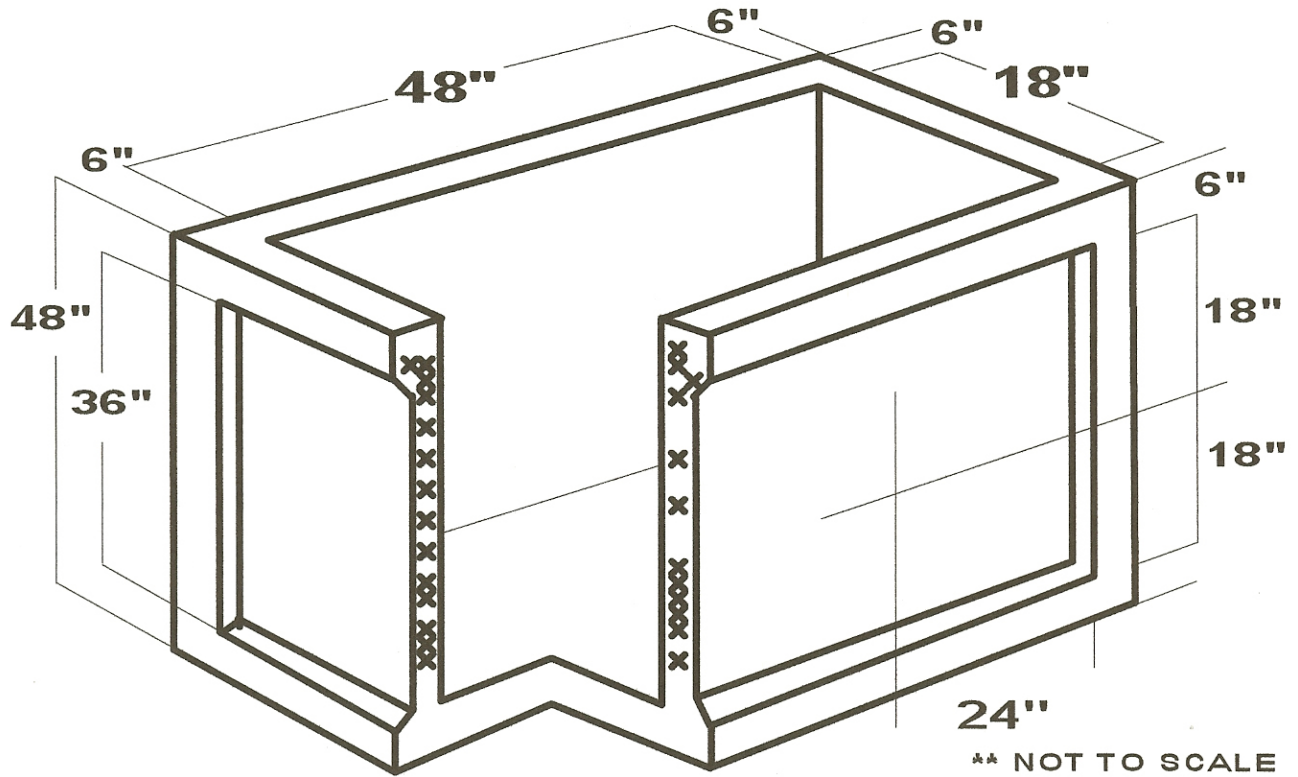
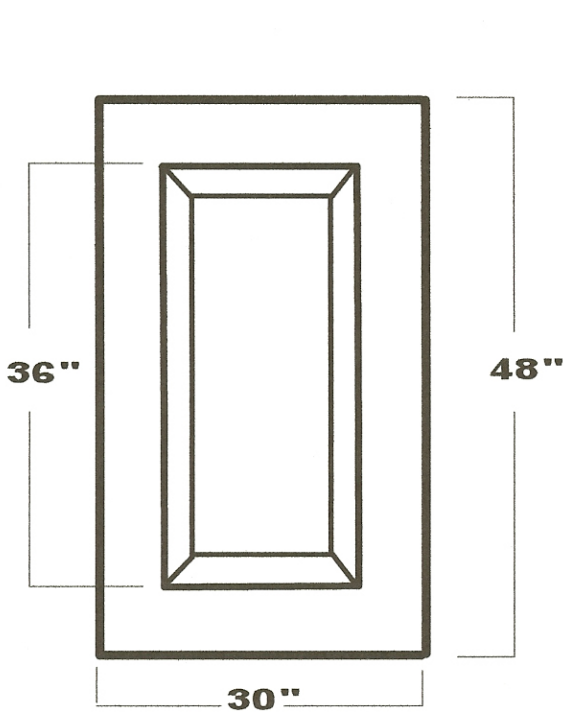


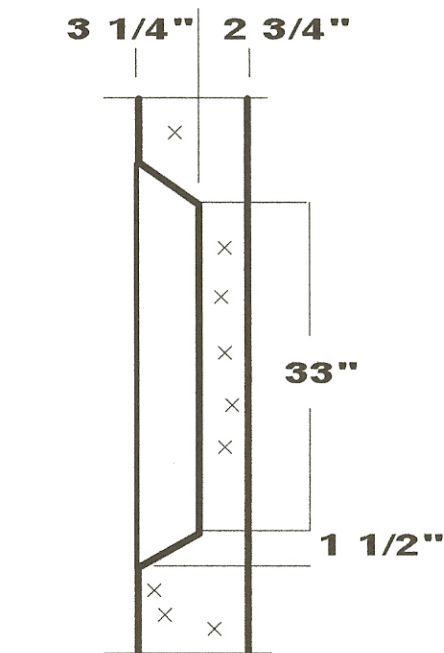
18" x 4' x 3' - 6" CURB BOX



Cut-Away Pictorial View



Front View



Partial Section Through Curb Wall

REINFORCING

3" x 8" x 3.0 x 2.0  
ASTM A-185  
STEEL AREA .12

4000 PSI CONCRETE

FORM CHECK

INITIAL \_\_\_\_\_

DATE \_\_\_\_\_