

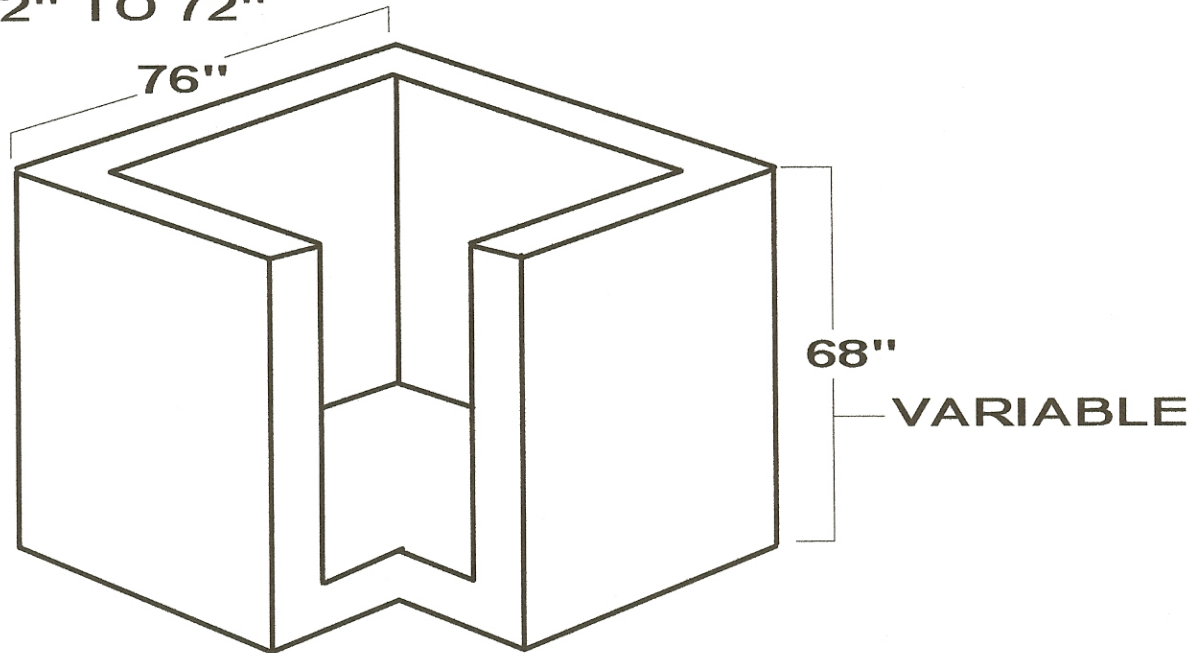
60" X 60" X 60" CATCH BASIN

CUSTOM AS PER JOB:

CUT-OUTS

HEIGHT 12" TO 72"

LID



CUT-AWAY PICTORIAL VIEW

REINFORCING

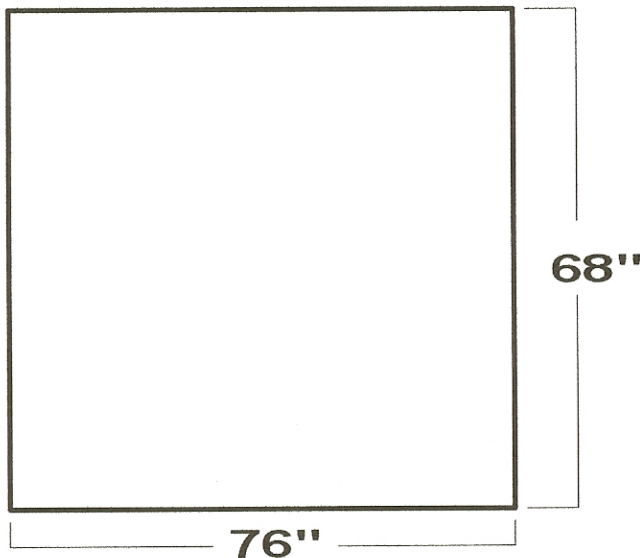
3" x 8" 3.0 x 2.0

ASTM A-185

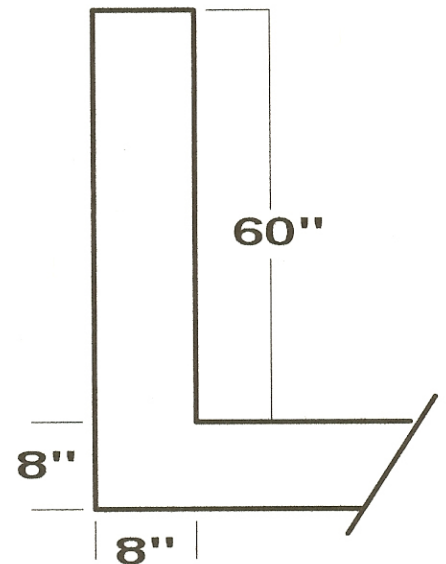
STEEL AREA .12

2" STEEL CLEARANCE

FRONT VIEW



PARTIAL SECTION THROUGH WALL



****NOTE: NOT TO SCALE**

4000 PSI CONCRETE

FORM CHECK INITIAL _____

DATE _____