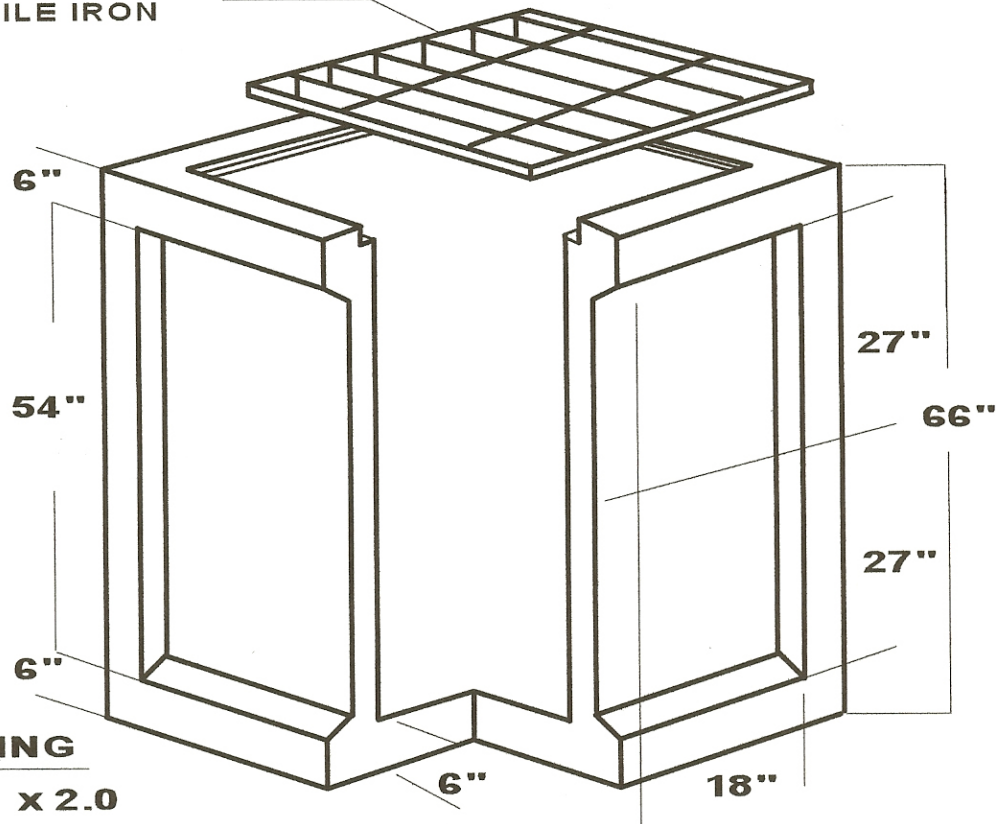


36" x 36" x 60" CATCH BASIN

CUT-AWAY PICTORIAL VIEW

1 3/4" x 3/16" GRATING
OR DUCTILE IRON



REINFORCING

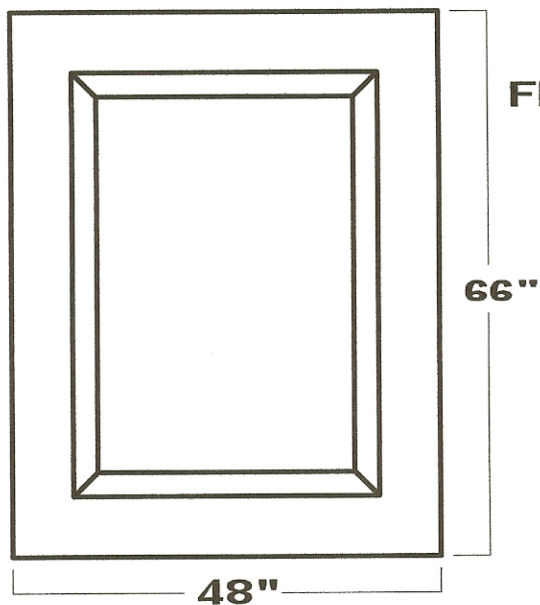
3" x 8" 3.0 x 2.0

ASTM A-185

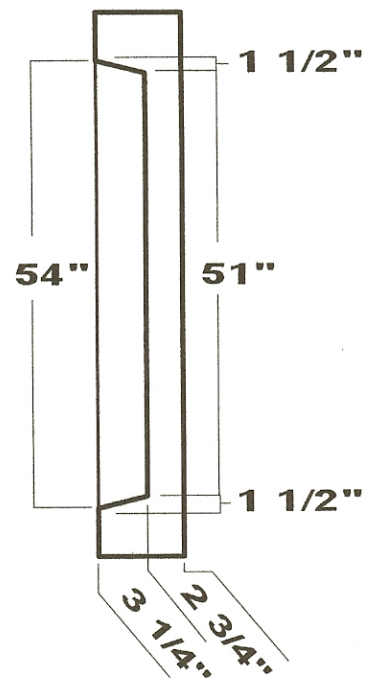
STEEL AREA .12

2" STEEL CLEARANCE

PARTIAL SECTION THROUGH MANHOLE WALL



FRONT VIEW



**NOTE: NOT TO SCALE

4000 PSI CONCRETE

FORM CHECK

INITIAL _____

DATE _____