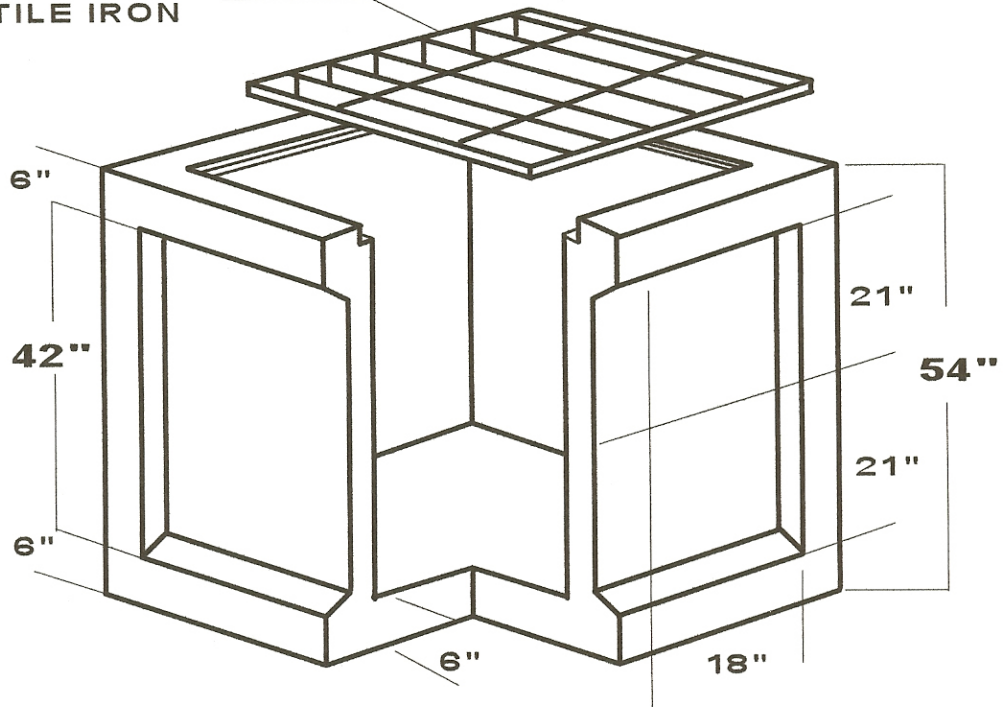


36" x 36" x 48" CATCH BASIN

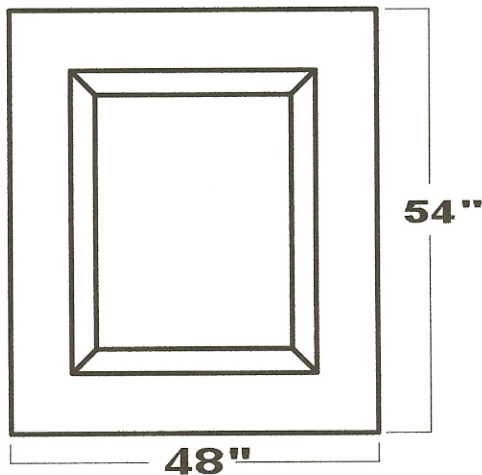
1 3/4" x 3/16" GRATING  
OR DUCTILE IRON



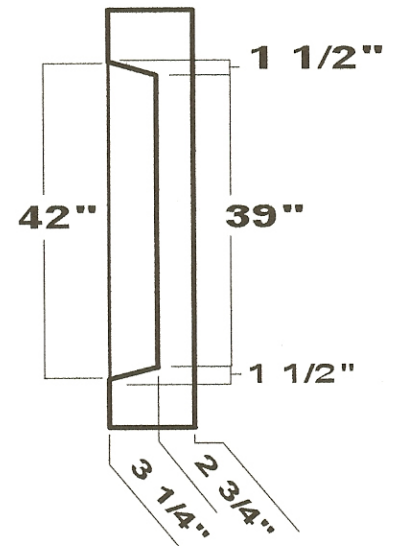
CUT-AWAY PICTORIAL VIEW

REINFORCING  
 3" x 8" 3.0 x 2.0  
 ASTM A-185  
 STEEL AREA .12  
 2" STEEL CLEARANCE

FRONT VIEW



PARTIAL SECTION THROUGH MANHOLE WALL



\*\*NOTE: NOT TO SCALE  
4000 PSI CONCRETE

FORM CHECK

INITIAL \_\_\_\_\_

DATE \_\_\_\_\_