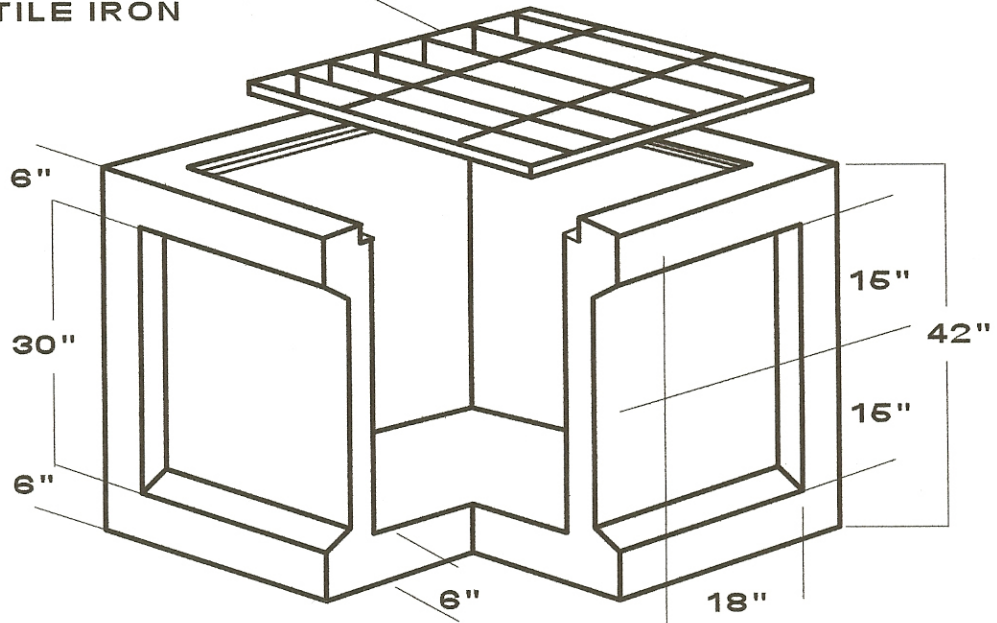


36" x 36" x 36" CATCH BASIN

1 3/4" x 3/16" GRATING
OR DUCTILE IRON



CUT-AWAY PICTORIAL VIEW

REINFORCING

3" x 8" 3.0 x 2.0

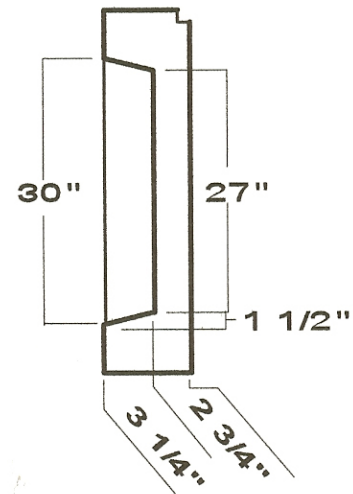
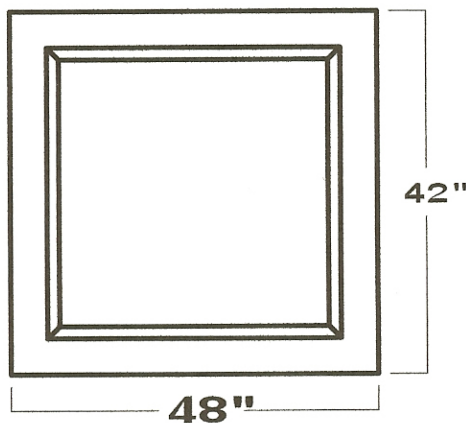
ASTM A-185

STEEL AREA .12

2" STEEL CLEARANCE

PARTIAL SECTION
THROUGH MANHOLE
WALL

FRONT VIEW



**NOTE: NOT TO SCALE
4000 PSI CONCRETE

FORM CHECK

INITIAL _____

DATE _____