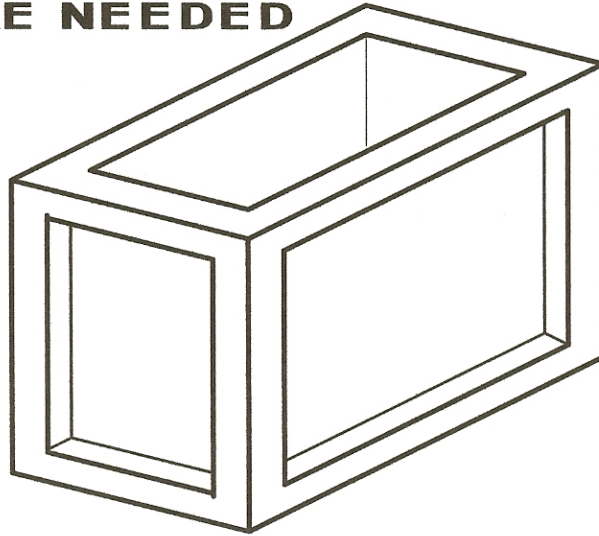


24" X 48" X 36" CATCH BASIN

**CUSTOM LID
CUTOUT WHERE NEEDED**

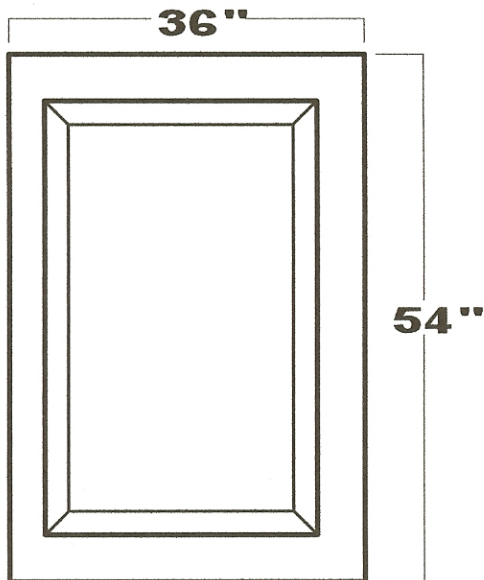


PICTORIAL VIEW

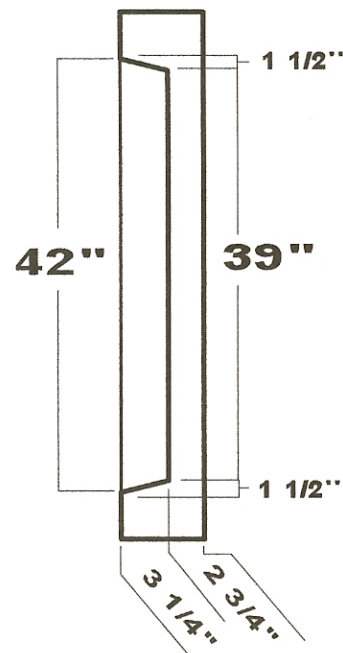
REINFORCING

3" X 8" 3.0 X 2.0
ASTM A-185
STEEL AREA .12
2" STEEL CLEARANCE

FRONT VIEW



**PARTIAL SIDE VIEW
THROUGH WALL**



**NOTE: NOT TO SCALE
4000 PSI CONCRETE

FORM CHECK

INITIAL _____

DATE _____