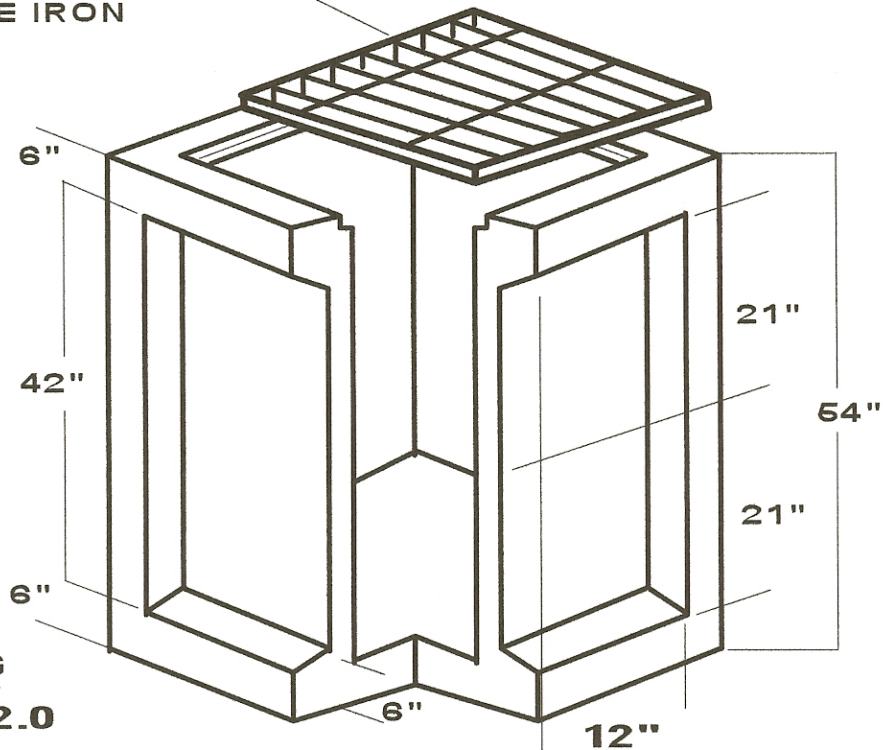


24" x 24" x 48" CATCH BASIN

1 3/4" x 3/16" GRATING
 OR DUCTILE IRON



REINFORCING

3" x 8" 3.0 x 2.0

ASTM A-185

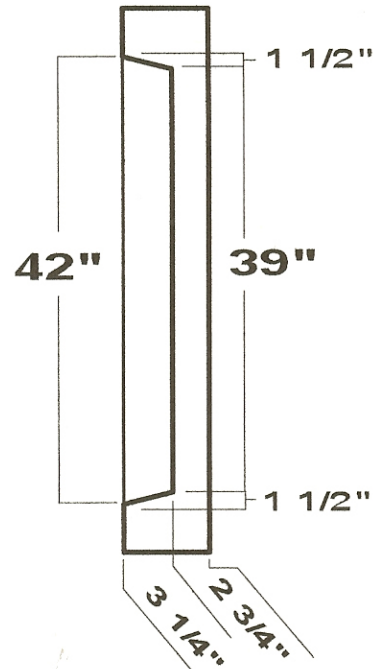
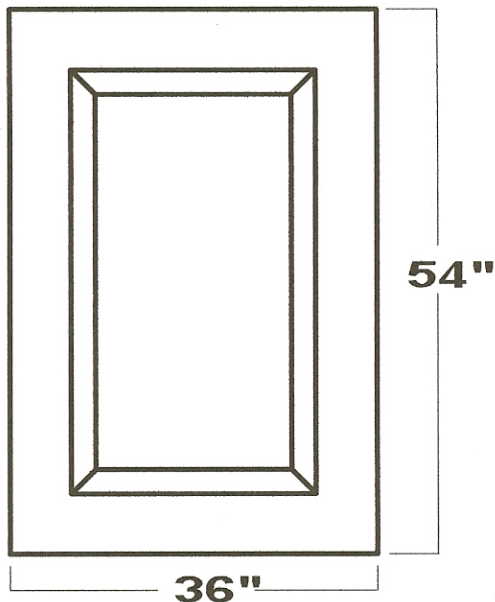
STEEL AREA .12

2" STEEL CLEARANCE

CUT-AWAY PICTORIAL VIEW

PARTIAL SECTION THROUGH WALL

FRONT VIEW



**NOTE: NOT TO SCALE
 4000 PSI CONCRETE

FORM CHECK

INITIAL _____

DATE _____