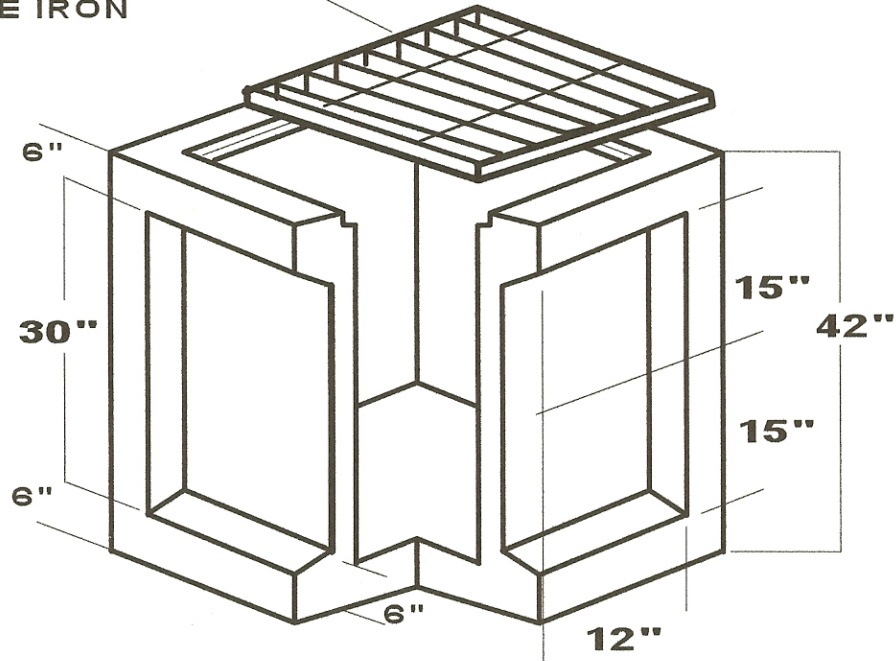


24" x 24" x 36" CATCH BASIN

1 3/4" x 3/16" GRATING
 OR DUCTILE IRON



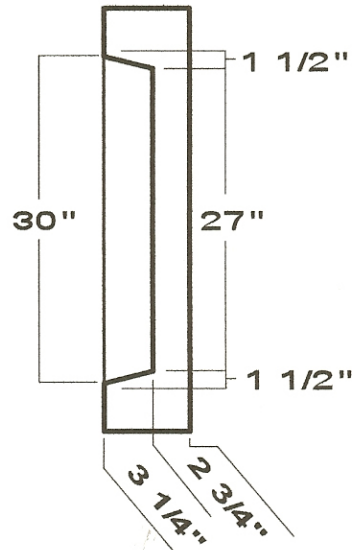
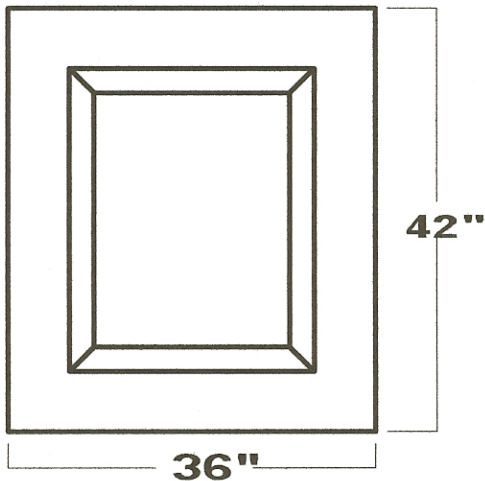
CUT-AWAY PICTORIAL VIEW

REINFORCING

3" x 8" 3.0 x 2.0
 ASTM A-185
 STEEL AREA .12
 2" STEEL CLEARANCE

PARTIAL SECTION THROUGH WALL

FRONT VIEW



**NOTE: NOT TO SCALE
 4000 PSI CONCRETE

FORM CHECK INITIAL _____ DATE _____