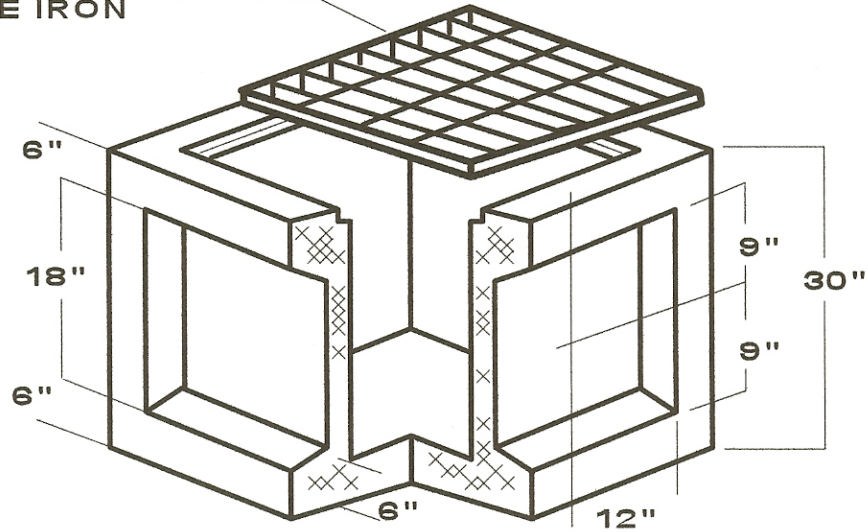


**24" x 24" x 24" CATCH BASIN**

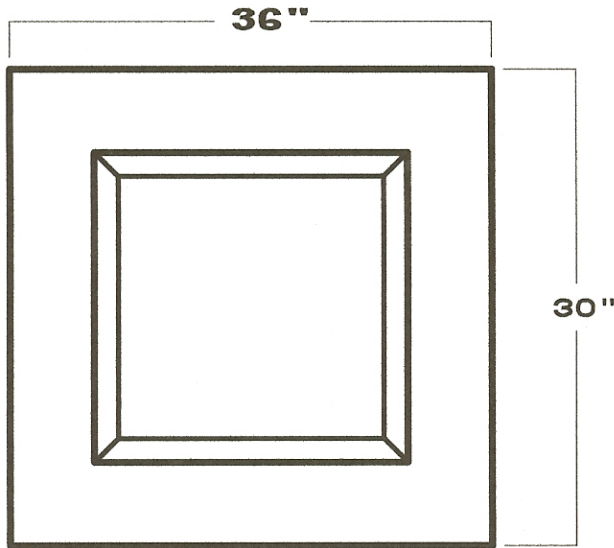
1 3/4" x 3/16" GRATING  
 OR DUCTILE IRON



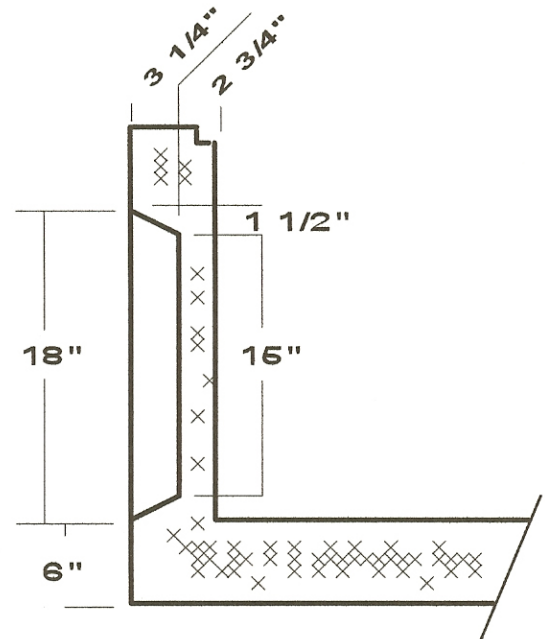
**CUT AWAY PICTORIAL VIEW**

**REINFORCING**

**3" x 8" 3.0 x 2.0**  
**ASTM A-185**  
**STEEL AREA .12**  
**2" STEEL CLEARANCE**



**FRONT VIEW**



**PARTIAL SECTION THROUGH WALL**

\*\*NOTE: NOT TO SCALE

4000 PSI CONCRETE

FORM CHECK  INITIAL \_\_\_\_\_

DATE \_\_\_\_\_