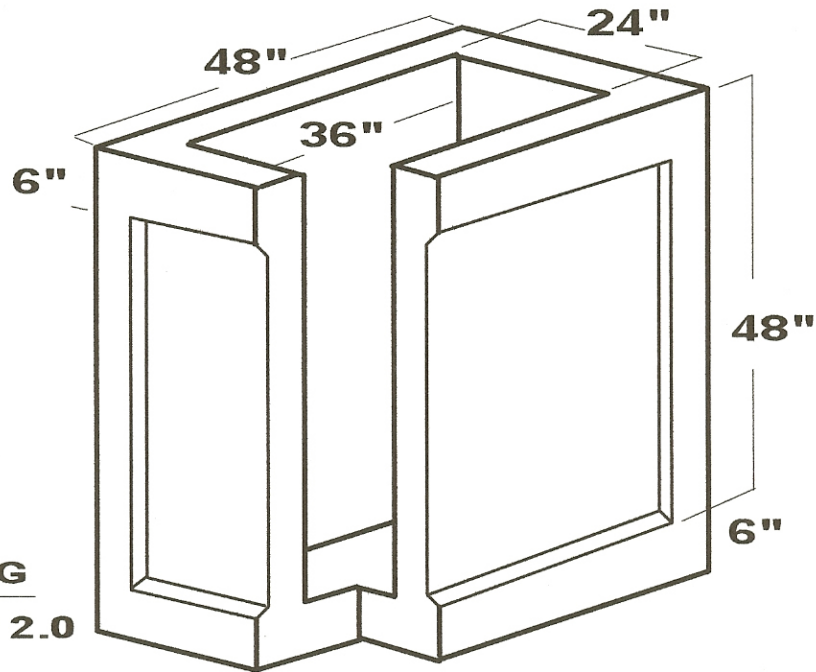


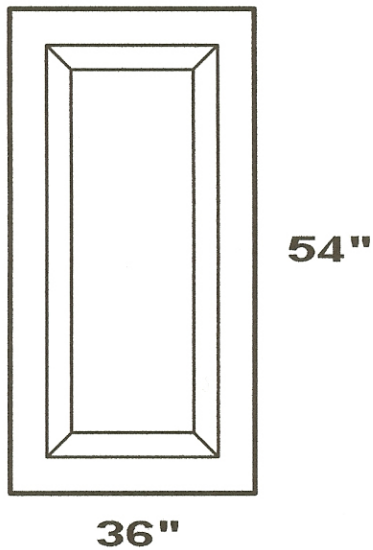
24" X 36" X 48" CATCH BASIN



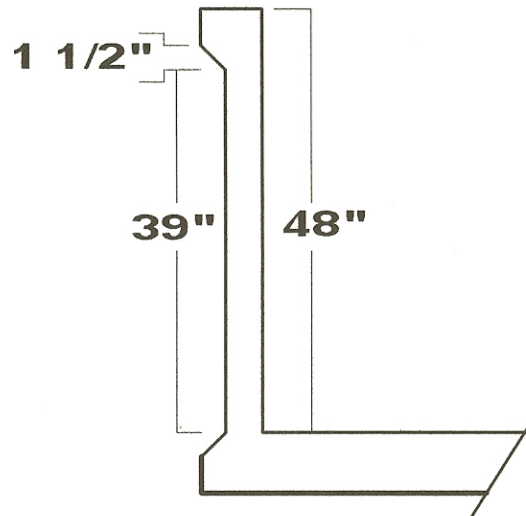
REINFORCING
3" x 8" 3.0 x 2.0
ASTM A-185
STEEL AREA .12
2" STEEL CLEARANCE

CUT-AWAY PICTORIAL VIEW

FRONT VIEW



PARTIAL SIDE VIEW THROUGH WALL



****NOTE: NOT TO SCALE**
4000 PSI CONCRETE

FORM CHECK

INITIAL _____

DATE _____