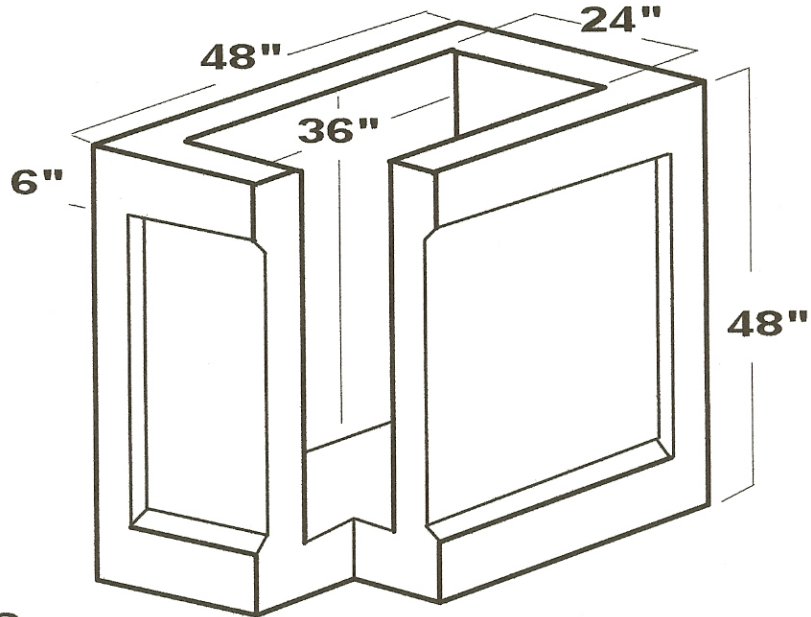


24" X 36" X 36" CATCH BASIN

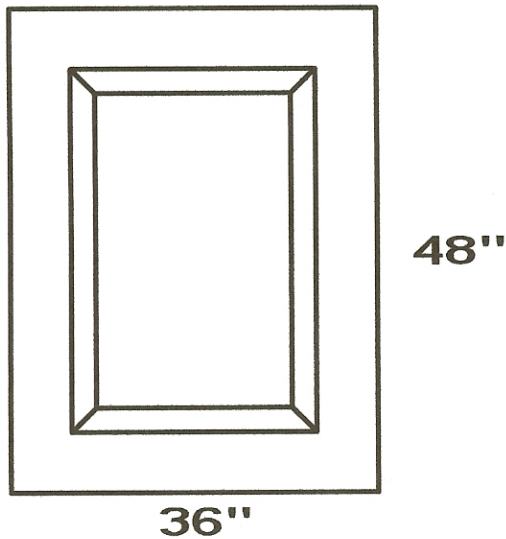


CUT-AWAY PICTORIAL VIEW

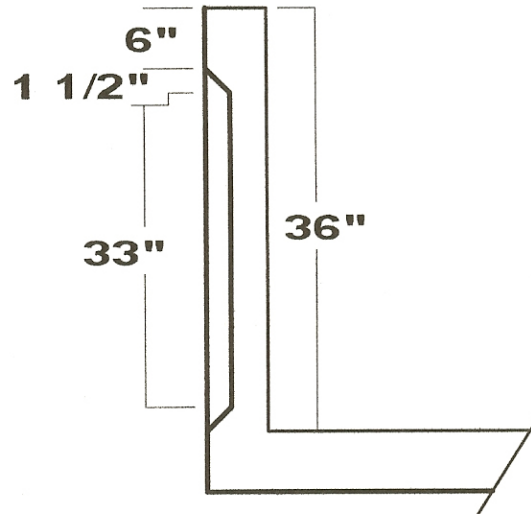
REINFORCING

3" x 8" 3.0 x 2.0
ASTM A-185
STEEL AREA .12
2" STEEL CLEARANCE

FRONT VIEW



PARTIAL SIDE VIEW THROUGH WALL



****NOTE: NOT TO SCALE
4000 PSI CONCRETE**

FORM CHECK INITIAL _____

DATE _____