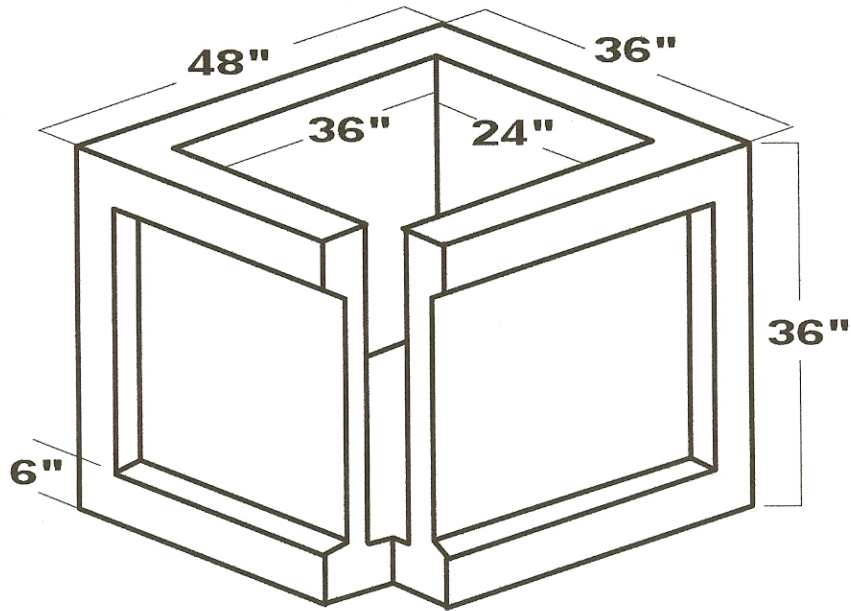


24" X 36" X 30" CATCH BASIN

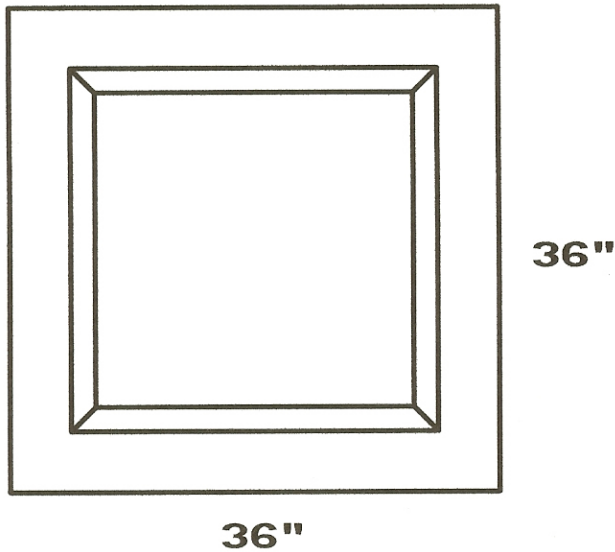


CUT-AWAY PICTORIAL VIEW

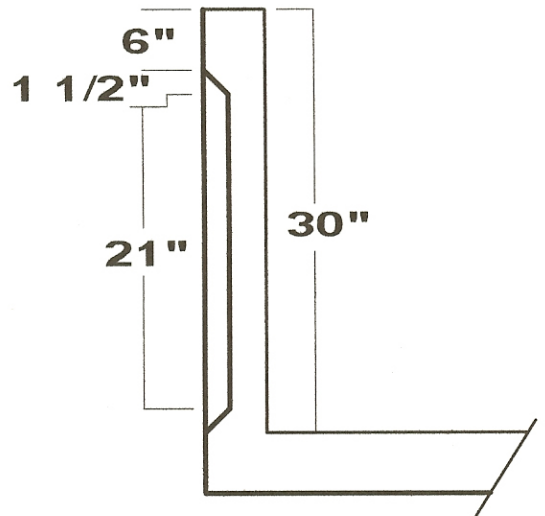
REINFORCING

3" x 8" 3.0 x 2.0  
ASTM A-185  
STEEL AREA .12  
2" STEEL CLEARANCE

FRONT VIEW



PARTIAL SIDE VIEW THROUGH WALL



**\*\*NOTE: NOT TO SCALE  
4000 PSI CONCRETE**

FORM CHECK  INITIAL \_\_\_\_\_

DATE \_\_\_\_\_