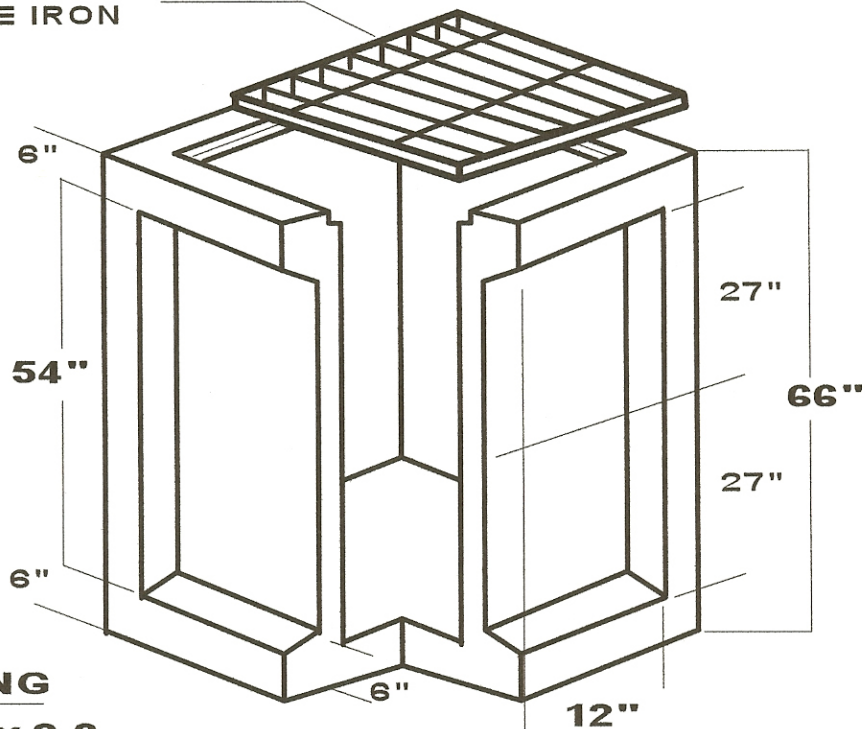


24" X 24" X 60" CATCH BASIN

1 3/4" x 3/16" GRATING  
 OR DUCTILE IRON



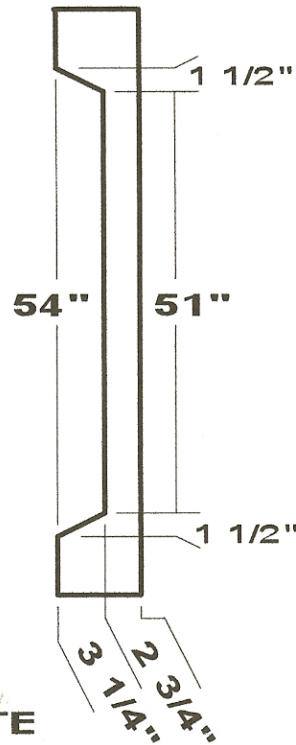
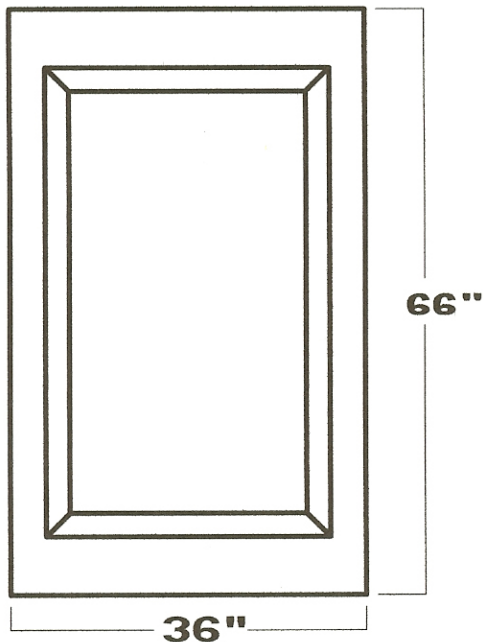
**REINFORCING**

3" x 8" 3.0 x 2.0  
 ASTM A-185  
 STEEL AREA .12  
 2" STEEL CLEARANCE

CUT-AWAY PICTORIAL VIEW

PARTIAL SECTION THROUGH WALL

FRONT VIEW



\*\*NOTE: NOT TO SCALE 4000 PSI CONCRETE

FORM CHECK  INITIAL \_\_\_\_\_ DATE \_\_\_\_\_