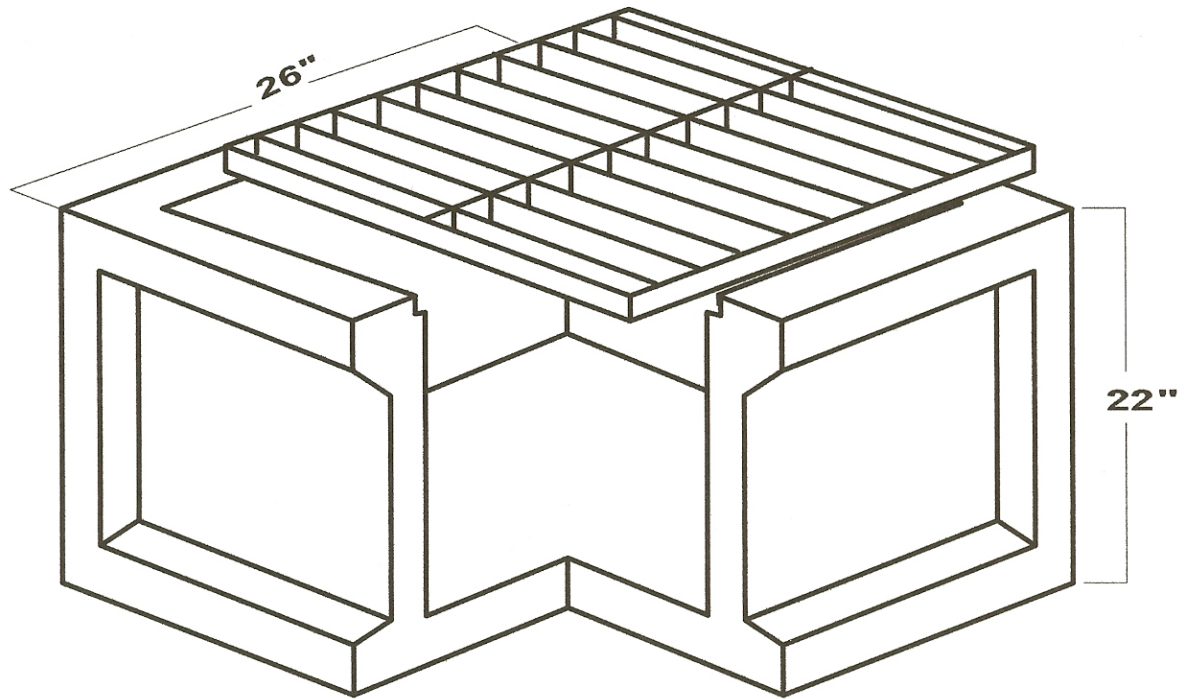


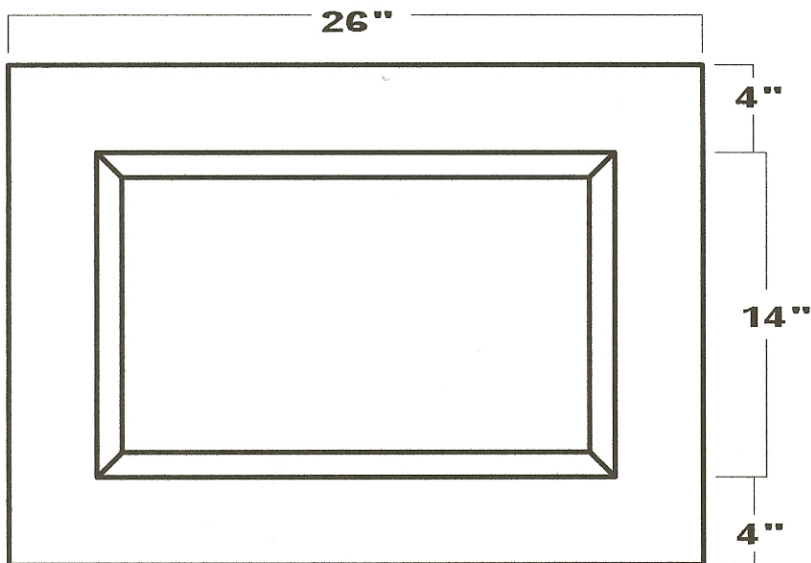
18" x 18" x 18" CATCH BASIN



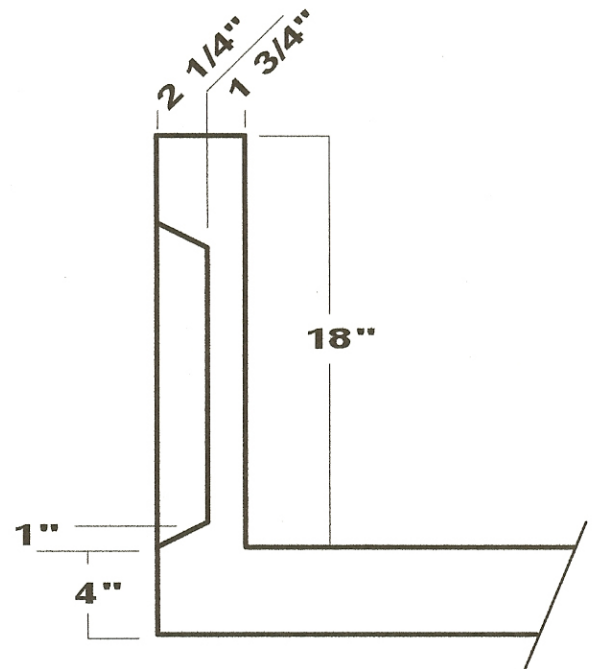
CUT-AWAY PICTORIAL VIEW

REINFORCING

3" x 8" 3.0 x 2.0  
 ASTM A-185  
 STEEL AREA .12  
 2" STEEL CLEARANCE



FRONT VIEW



PARTIAL SECTION THROUGH WALL

\*\*NOTE: NOT TO SCALE

FORM CHECK  INITIAL \_\_\_\_\_ DATE \_\_\_\_\_