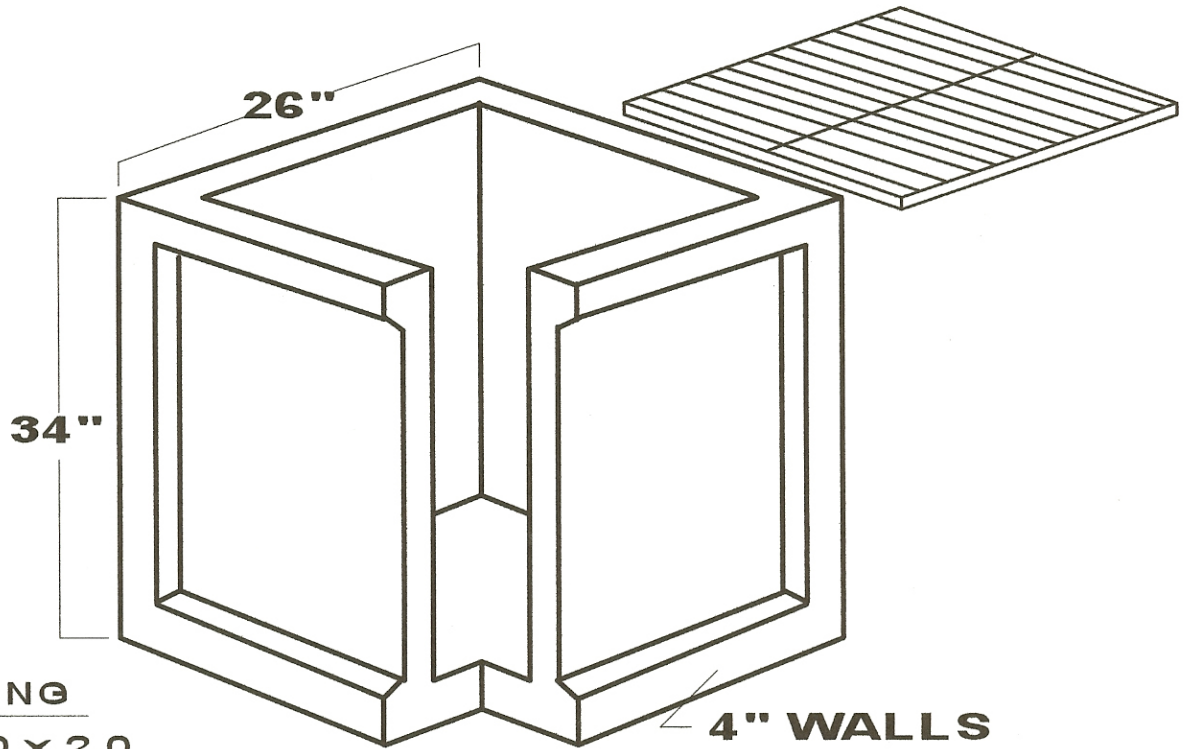


18" X 18" X 30" CATCH BASIN



REINFORCING

3" x 8" 3.0 x 2.0

ASTM A-185

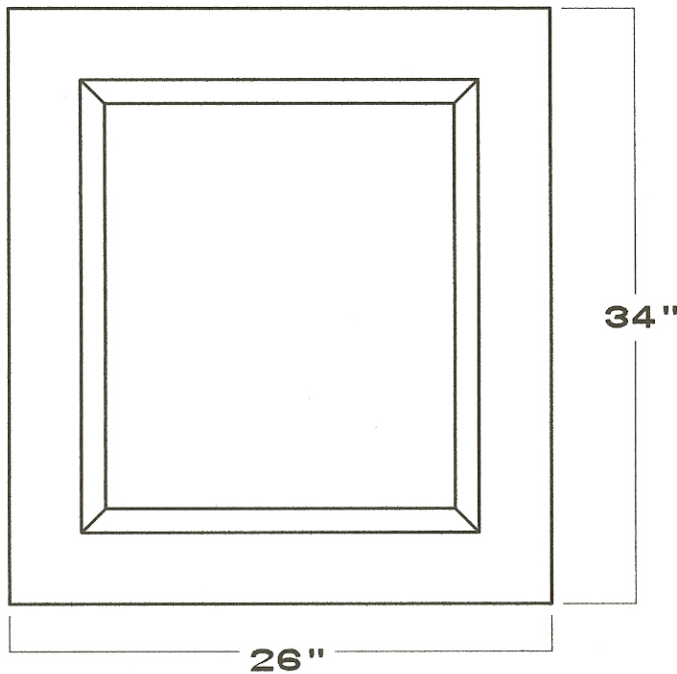
STEEL AREA .12

2" STEEL CLEARANCE

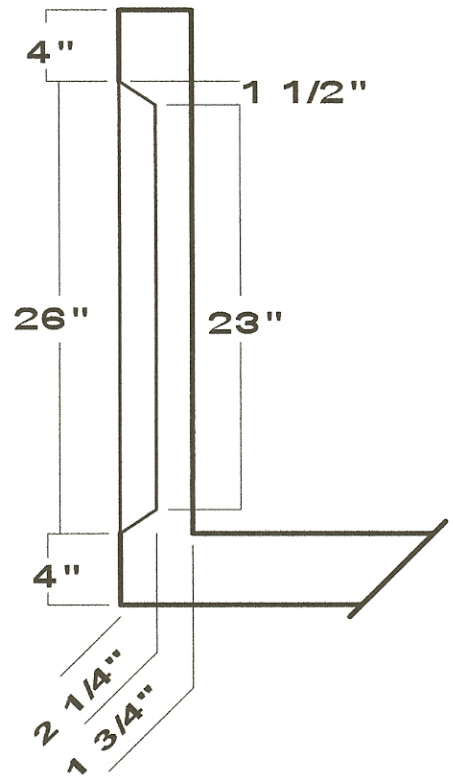
4" WALLS

CUT-AWAY PICTORIAL VIEW

FRONT VIEW



PARTIAL SECTION THROUGH WALL



**NOTE: NOT TO SCALE
4000 PSI CONCRETE

FORM CHECK

INITIAL _____

DATE _____